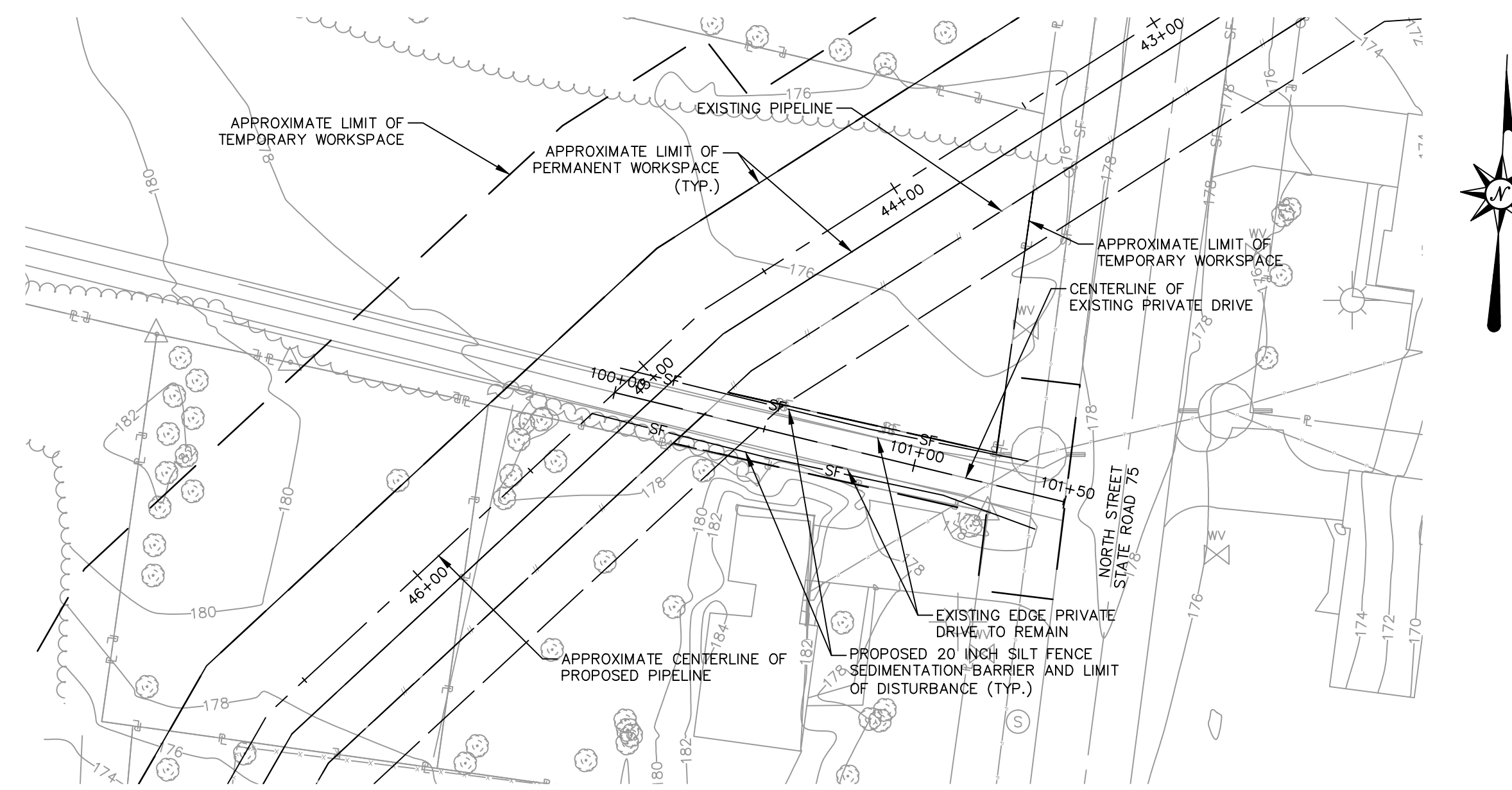
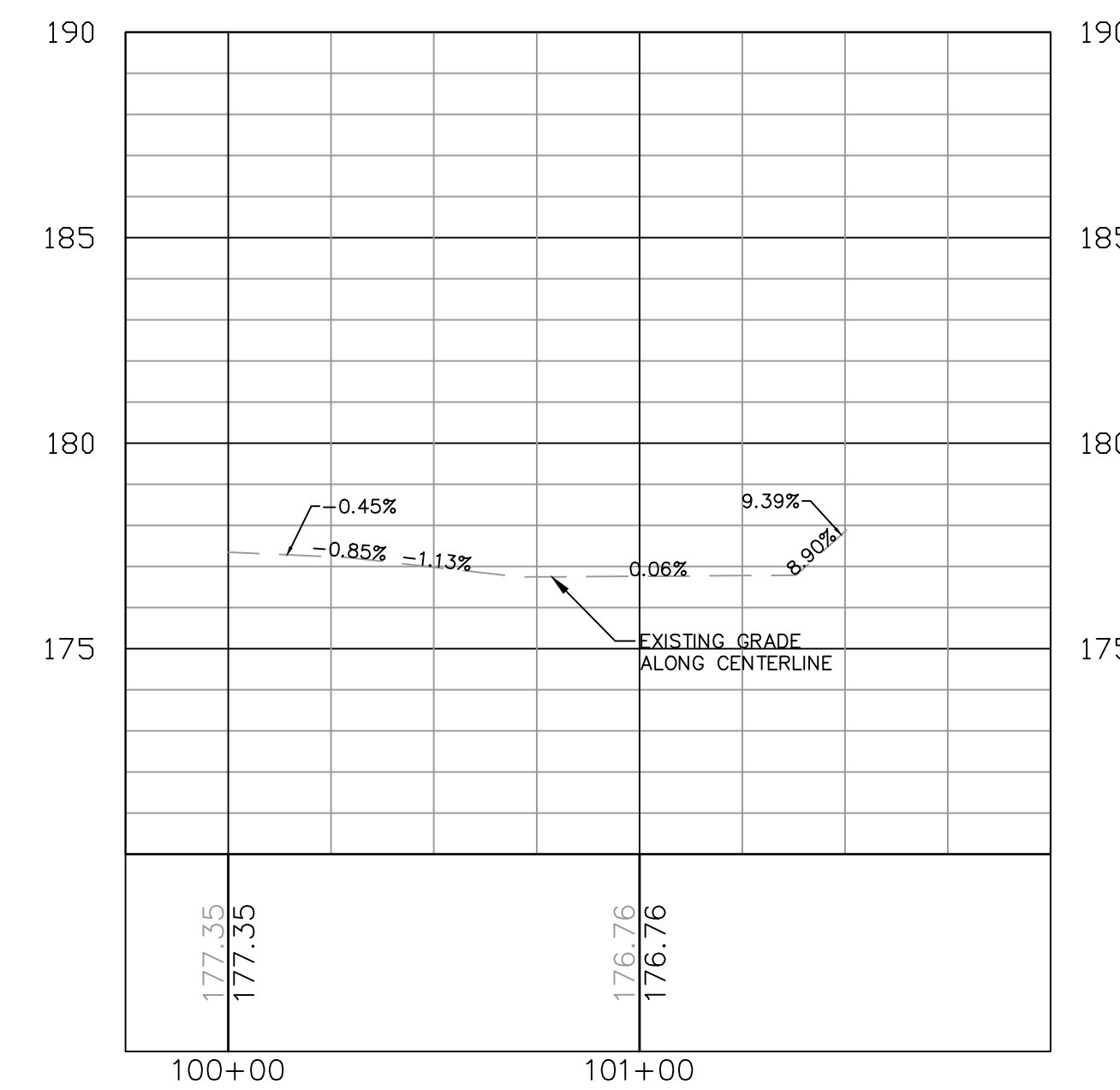


### GENERAL NOTES

- CHECK DAMS SHALL BE INSTALLED WITHIN ALL SWALES IN ACCORDANCE WITH THE KINDER MORGAN BMP FIGURE NO. 22.
- REFER TO KINDER MORGAN CONSTRUCTION BEST MANAGEMENT PRACTICE MANUAL AND SHEETS TITLED "EROSION AND SEDIMENTATION NOTES," "GENERAL SEEDING NOTES," AND "RECYCLING AND DISPOSAL PLAN," FOR SPECIFIC INSTALLATION AND MAINTENANCE SPECIFICATIONS, AND EROSION CONTROLS.
- PROPOSED TRUCK PULL OFF ARE TEMPORARY AND SHALL BE REMOVED AFTER CONSTRUCTION. THE PULL OFF AREA SHALL BE REGRADED TO MATCH PRE CONSTRUCTION CONTOURS WHERE PRACTICAL. ALL PROPOSED PERMANENT SWALES AND ASSOCIATED CHECK DAMS SHALL BE REMOVED AND REINSTALLED ALONG THE PROPOSED EDGE OF ROAD.
- THE CONTRACTOR SHALL VERIFY ALL EXISTING CONDITIONS PRIOR TO CONSTRUCTION. THE CONTRACTOR SHALL IMMEDIATELY NOTIFY KINDER MORGAN, INC. AND/OR ITS ENGINEER OF ANY CONDITIONS THAT VARY FROM WHAT IS DEPICTED ON THIS PLAN.
- THE CONTRACTOR SHALL CONTACT CALL BEFORE YOU DIG CONNECTICUT (1-800-922-4455) A MINIMUM OF 72 HOURS PRIOR TO COMMENCEMENT OF CONSTRUCTION.
- ALL SLOPES THAT ARE EQUAL TO OR STEEPER THAN 1(V):3(H) SHALL BE SEEDED AND THEN COVERED WITH EROSION CONTROL MATTING PER KINDER MORGAN BMP NO. 41. THE MATTING SHALL BE INTERLOCKING TIMBER MATS OR APPROVED EQUAL AND INSTALLED IN ACCORDANCE WITH THE MANUFACTURERS SPECIFICATIONS. SEE DETAIL IN THE CONSTRUCTION BEST MANAGEMENT PRACTICES.
- ALL SLOPES THAT ARE STEEPER THAN 1(V):2(H) SHALL BE COVERED WITH RIPRAP SLOPE PROTECTION. SEE SLOPE PROTECTION DETAIL FOR INSTALLATION GUIDELINES IN THE CONSTRUCTION BEST MANAGEMENT PRACTICES.
- CONSTRUCTION ENTRANCES ARE TO BE CONSTRUCTED ON TEMPORARY ACCESS ROADS IF EXCESSIVE SEDIMENT IS CONVEYED ONTO THE MAIN TRAVEL WAY.



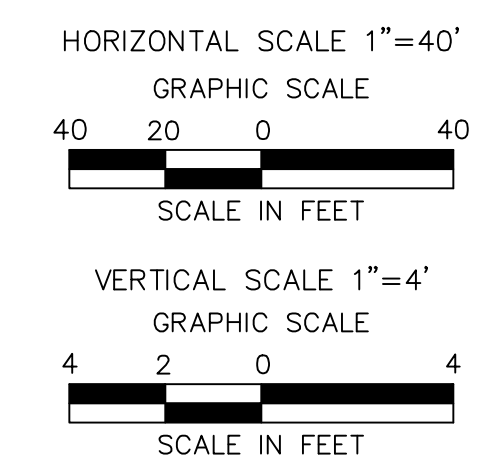
**CONNECTICUT TEMPORARY ACCESS ROAD 1 - PLAN**



**CONNECTICUT TEMPORARY ACCESS ROAD 1 - PROFILE**

### LEGEND

- PROPOSED PIPELINE
- EXISTING PIPELINE
- PROPERTY LINE
- STRUCTURE
- ELEC CABLE
- FENCE
- TREE LINE
- FIBER OPTIC LINE
- POWER LINES
- TELEPHONE CABLE
- TELEPHONE LINE
- CABLE LINE
- SILT FENCE
- PROPOSED EDGE OF ROAD
- PROPOSED SILT FENCE



DRAWING NUMBER		DRAWING TITLE			
REFERENCE DRAWINGS					
NO.	DATE	BY	DESCRIPTION	PROJ. ID	APPR.
REVISIONS					
		CONNECTICUT EXPANSION PROJECT			
		CONNECTICUT LOOP 300-500			
PROPOSED NATURAL GAS PIPELINE					
TOWN OF SUFFIELD					
HARTFORD COUNTY, CONNECTICUT					
Division:		Op. Area:			
State: CT		Co./Par.: HARTFORD			
Section:		Township: SUFFIELD		Range:	
Drafter: JMS		Date: 07/08/14		Project ID:	
Chk'd: AP		Date: 4/21/15		Scale: 1" = 40'	
Appr: DK		Date: 4/21/15		Filename:	
					Sheet: Rev.
					1 of 16

24-00000-00000-100000

A

B

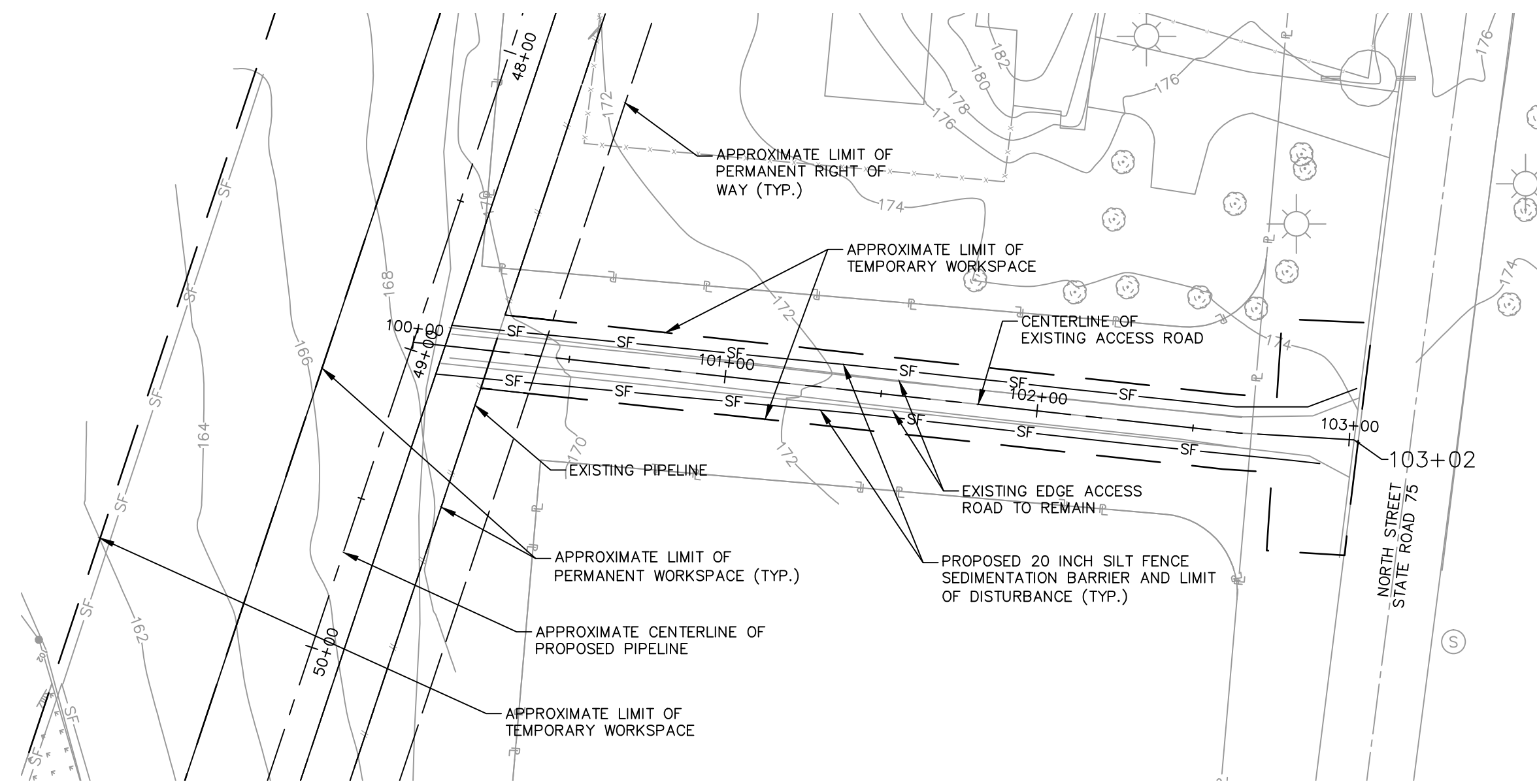
C

D

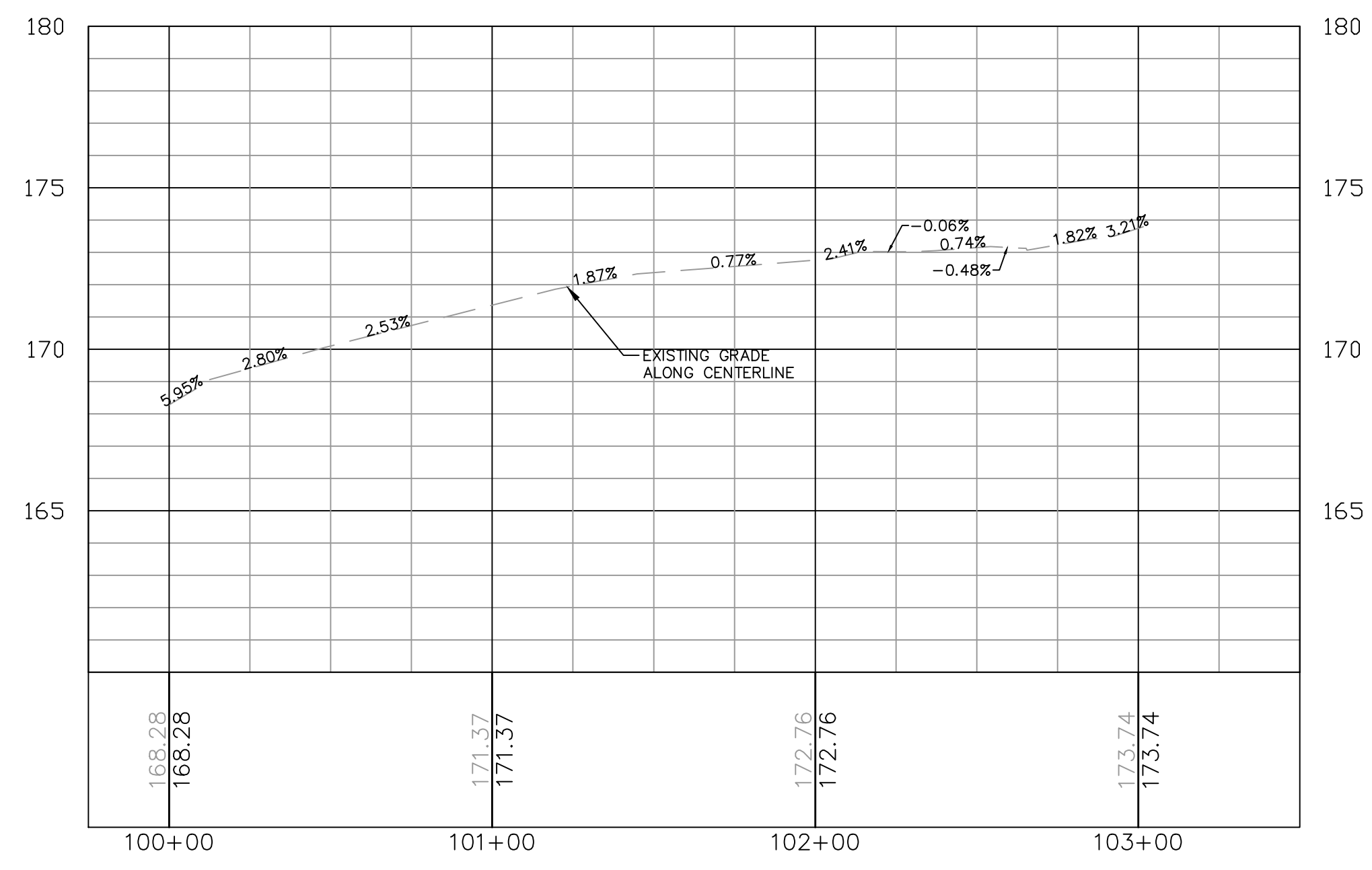
E

F

G



CONNECTICUT TEMPORARY ACCESS ROAD 2 - PLAN



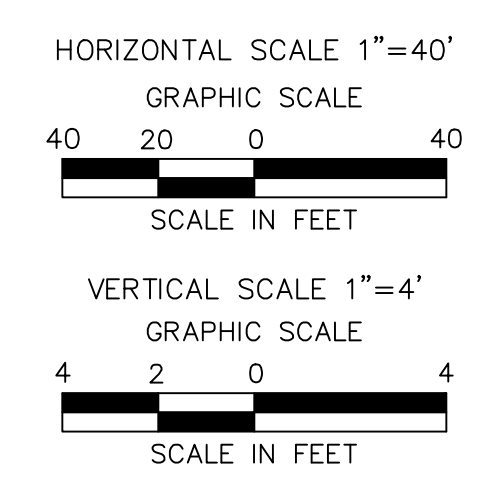
CONNECTICUT TEMPORARY ACCESS ROAD 2 - PROFILE

LEGEND

- PROPOSED PIPELINE
- EXISTING PIPELINE
- PROPERTY LINE
- STRUCTURE
- ELEC CABLE
- FENCE
- TREE LINE
- FIBER OPTIC LINE
- POWER LINES
- TELEPHONE CABLE
- TELEPHONE LINE
- CABLE LINE
- SILT FENCE
- PROPOSED EDGE OF ROAD
- PROPOSED SILT FENCE

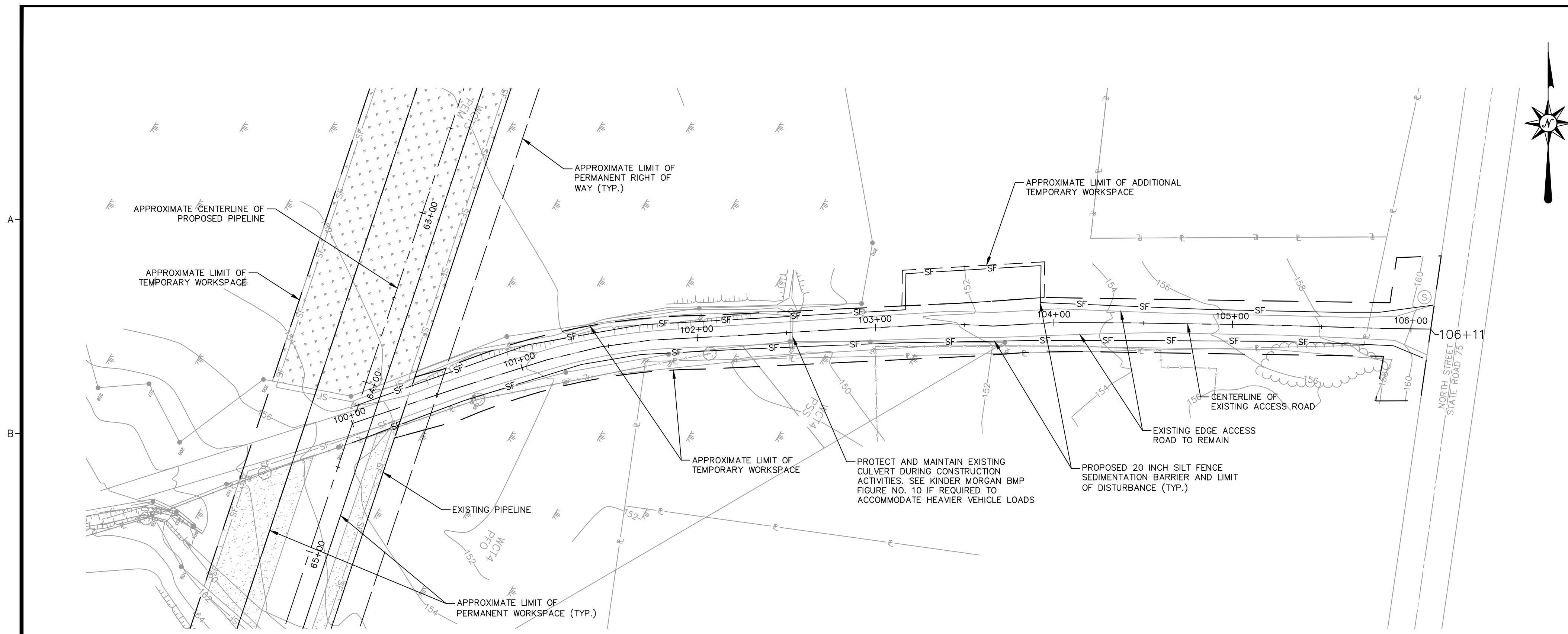
GENERAL NOTES

1. CHECK DAMS SHALL BE INSTALLED WITHIN ALL SWALES IN ACCORDANCE WITH THE KINDER MORGAN BMP FIGURE NO. 22.
2. REFER TO KINDER MORGAN CONSTRUCTION BEST MANAGEMENT PRACTICE MANUAL AND SHEETS TITLED "EROSION AND SEDIMENTATION NOTES," "GENERAL SEEDING NOTES," AND "RECYCLING AND DISPOSAL PLAN," FOR SPECIFIC INSTALLATION AND MAINTENANCE SPECIFICATIONS, AND EROSION CONTROLS.
3. PROPOSED TRUCK PULL OFF ARE TEMPORARY AND SHALL BE REMOVED AFTER CONSTRUCTION. THE PULL OFF AREA SHALL BE REGRADED TO MATCH PRE CONSTRUCTION CONTOURS WHERE PRACTICAL. ALL PROPOSED PERMANENT SWALES AND ASSOCIATED CHECK DAMS SHALL BE REMOVED AND REINSTALLED ALONG THE PROPOSED EDGE OF ROAD.
4. THE CONTRACTOR SHALL VERIFY ALL EXISTING CONDITIONS PRIOR TO CONSTRUCTION. THE CONTRACTOR SHALL IMMEDIATELY NOTIFY KINDER MORGAN, INC. AND/OR ITS ENGINEER OF ANY CONDITIONS THAT VARY FROM WHAT IS DEPICTED ON THIS PLAN.
5. THE CONTRACTOR SHALL CONTACT CALL BEFORE YOU DIG CONNECTICUT (1-800-922-4455) A MINIMUM OF 72 HOURS PRIOR TO COMMENCEMENT OF CONSTRUCTION.
6. ALL SLOPES THAT ARE EQUAL TO OR STEEPER THAN 1(V):3(H) SHALL BE SEEDED AND THEN COVERED WITH EROSION CONTROL MATTING PER KINDER MORGAN BMP NO. 41. THE MATTING SHALL BE INTERLOCKING TIMBER MATS OR APPROVED EQUAL AND INSTALLED IN ACCORDANCE WITH THE MANUFACTURERS SPECIFICATIONS. SEE DETAIL IN THE CONSTRUCTION BEST MANAGEMENT PRACTICES.
7. ALL SLOPES THAT ARE STEEPER THAN 1(V):2(H) SHALL BE COVERED WITH RIPRAP SLOPE PROTECTION. SEE SLOPE PROTECTION DETAIL FOR INSTALLATION GUIDELINES IN THE CONSTRUCTION BEST MANAGEMENT PRACTICES.
8. CONSTRUCTION ENTRANCES ARE TO BE CONSTRUCTED ON TEMPORARY ACCESS ROADS IF EXCESSIVE SEDIMENT IS CONVEYED ONTO THE MAIN TRAVEL WAY.



DRAWING NUMBER		DRAWING TITLE	
REFERENCE DRAWINGS			
NO.	DATE	BY	DESCRIPTION
REVISIONS			
		<b>Tennessee Gas Pipeline Company, L.L.C.</b> a Kinder Morgan company	
CONNECTICUT EXPANSION PROJECT			
CONNECTICUT LOOP 300-500			
PROPOSED NATURAL GAS PIPELINE			
TOWN OF SUFFIELD			
HARTFORD COUNTY, CONNECTICUT			
Division:	CT	Op. Area:	HARTFORD
State:		Co./Par.:	
Section:		Township:	SUFFIELD
Drfter:	JMS	Date:	07/08/14
Chk'd:	AP	Date:	4/21/15
Appr:	DK	Date:	4/21/15
Project ID:		Range:	
Scale:	1" = 40'	Type:	
Filename:			
Sheet:	2 of 16	Rev:	

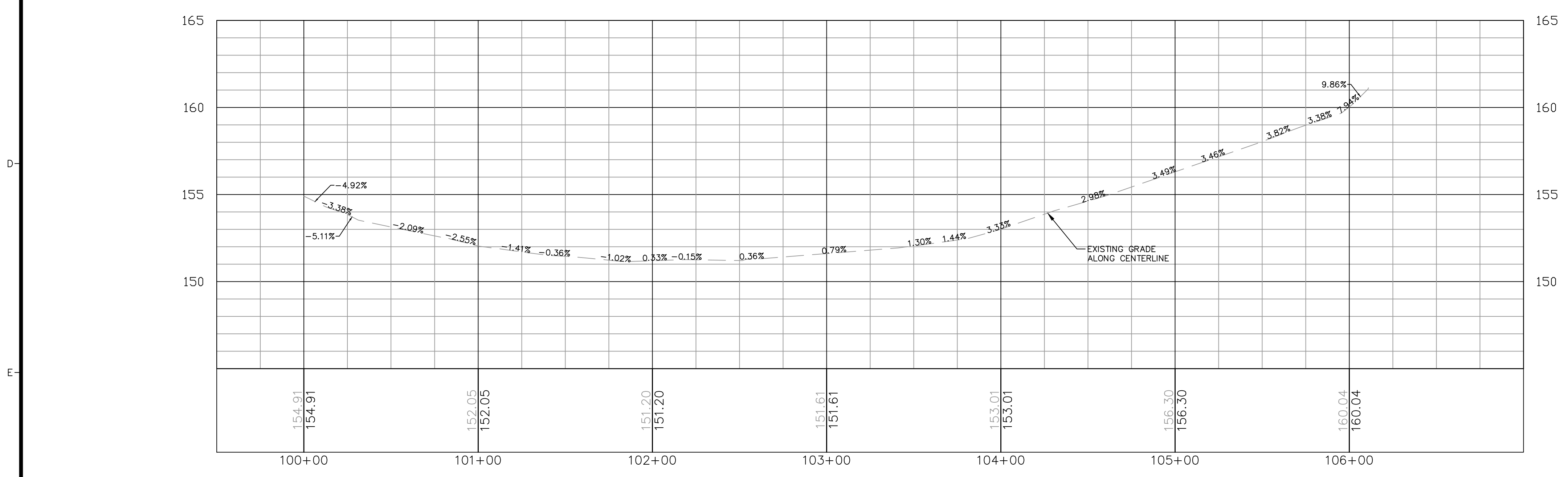
24-21-2015 11:11:24



**CONNECTICUT TEMPORARY ACCESS ROAD 3 - PLAN**

**GENERAL NOTES**

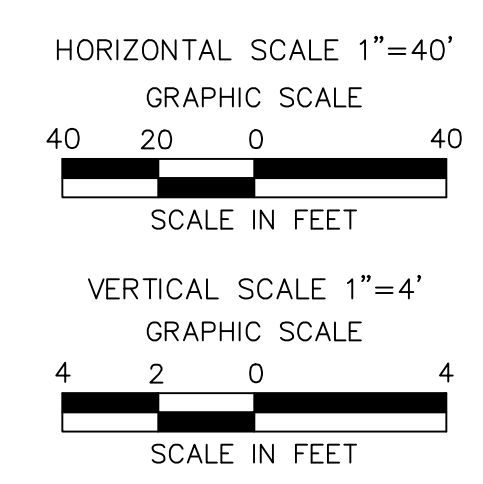
- CHECK DAMS SHALL BE INSTALLED WITHIN ALL SWALES IN ACCORDANCE WITH THE KINDER MORGAN BMP FIGURE NO. 22.
- REFER TO KINDER MORGAN CONSTRUCTION BEST MANAGEMENT PRACTICE MANUAL AND SHEETS TITLED "EROSION AND SEDIMENTATION NOTES," "GENERAL SEEDING NOTES," AND "RECYCLING AND DISPOSAL PLAN," FOR SPECIFIC INSTALLATION AND MAINTENANCE SPECIFICATIONS, AND EROSION CONTROLS.
- PROPOSED TRUCK PULL OFF ARE TEMPORARY AND SHALL BE REMOVED AFTER CONSTRUCTION. THE PULL OFF AREA SHALL BE REGRADED TO MATCH PRE CONSTRUCTION CONTOURS WHERE PRACTICAL. ALL PROPOSED PERMANENT SWALES AND ASSOCIATED CHECK DAMS SHALL BE REMOVED AND REINSTALLED ALONG THE PROPOSED EDGE OF ROAD.
- THE CONTRACTOR SHALL VERIFY ALL EXISTING CONDITIONS PRIOR TO CONSTRUCTION. THE CONTRACTOR SHALL IMMEDIATELY NOTIFY KINDER MORGAN, INC. AND/OR ITS ENGINEER OF ANY CONDITIONS THAT VARY FROM WHAT IS DEPICTED ON THIS PLAN.
- THE CONTRACTOR SHALL CONTACT CALL BEFORE YOU DIG CONNECTICUT (1-800-922-4455) A MINIMUM OF 72 HOURS PRIOR TO COMMENCEMENT OF CONSTRUCTION.
- ALL SLOPES THAT ARE EQUAL TO OR STEEPER THAN 1(V):3(H) SHALL BE SEEDED AND THEN COVERED WITH EROSION CONTROL MATTING PER KINDER MORGAN BMP NO. 41. THE MATTING SHALL BE INTERLOCKING TIMBER MATS OR APPROVED EQUAL AND INSTALLED IN ACCORDANCE WITH THE MANUFACTURERS SPECIFICATIONS. SEE DETAIL IN THE CONSTRUCTION BEST MANAGEMENT PRACTICES.
- ALL SLOPES THAT ARE STEEPER THAN 1(V):2(H) SHALL BE COVERED WITH RIPRAP SLOPE PROTECTION. SEE SLOPE PROTECTION DETAIL FOR INSTALLATION GUIDELINES IN THE CONSTRUCTION BEST MANAGEMENT PRACTICES.
- CONSTRUCTION ENTRANCES ARE TO BE CONSTRUCTED ON TEMPORARY ACCESS ROADS IF EXCESSIVE SEDIMENT IS CONVEYED ONTO THE MAIN TRAVEL WAY.



**CONNECTICUT TEMPORARY ACCESS ROAD 3 - PROFILE**

**LEGEND**

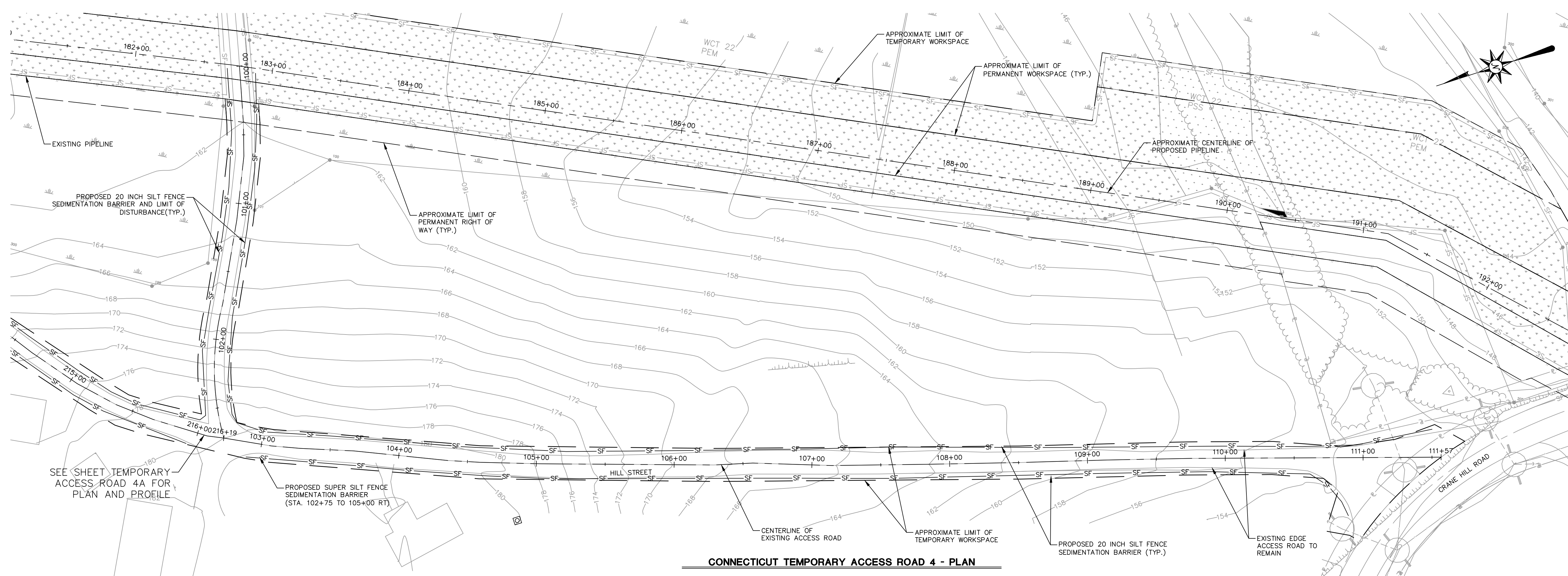
- PROPOSED PIPELINE
- EXISTING PIPELINE
- PROPERTY LINE
- STRUCTURE
- ELEC. CABLE
- FENCE LINE
- TREE LINE
- FIBER OPTIC LINE
- POWER LINES
- TELEPHONE CABLE
- TELEPHONE LINE
- CABLE LINE
- SILT FENCE
- PROPOSED EDGE OF ROAD
- PROPOSED SILT FENCE



DRAWING NUMBER		DRAWING TITLE	
REFERENCE DRAWINGS			
NO.	DATE	BY	DESCRIPTION
REVISIONS			
Division: CT		Op. Area: HARTFORD	
State: CT		Co./Par.: HARTFORD	
Section: SUFFIELD		Range:	
Drafter: JMS	Date: 07/08/14	Project ID:	Type:
Chk'd: AP	Date: 4/21/15	Scale: 1" = 40'	Filename:
Appr: DK	Date: 4/21/15		
			Sheet: Rev. 3 of 16

**Tennessee Gas Pipeline Company, L.L.C.**  
a Kinder Morgan company

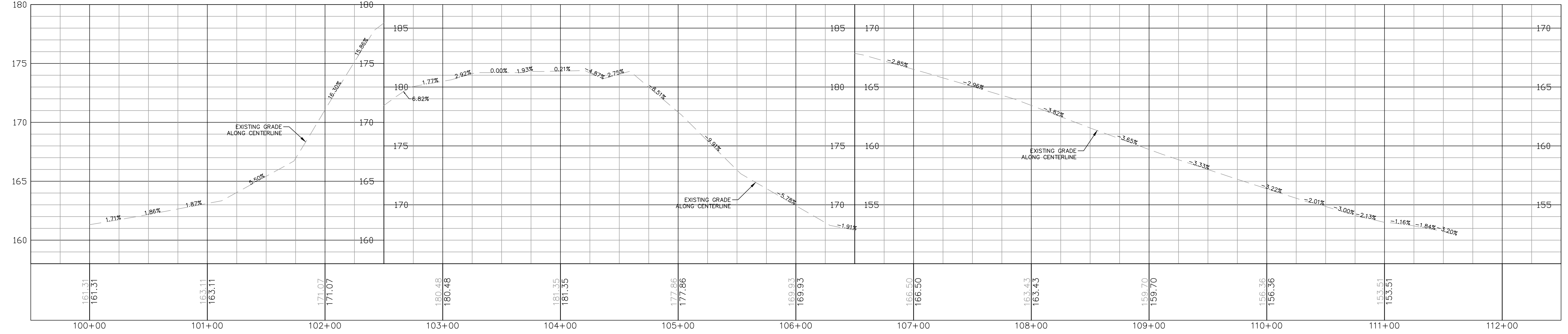
**CONNECTICUT EXPANSION PROJECT**  
**CONNECTICUT LOOP 300-500**  
**PROPOSED NATURAL GAS PIPELINE**  
**TOWN OF SUFFIELD**  
**HARTFORD COUNTY, CONNECTICUT**



CONNECTICUT TEMPORARY ACCESS ROAD 4 - PLAN

**GENERAL NOTES**

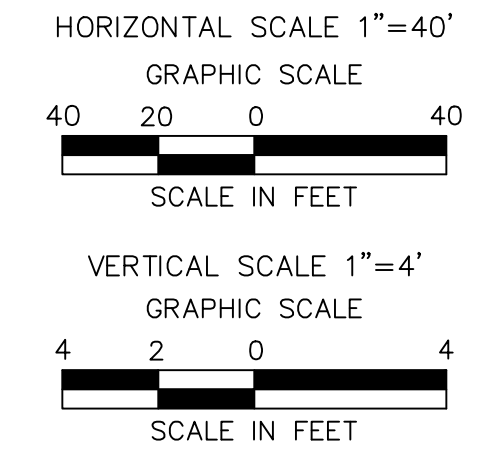
- CHECK DAMS SHALL BE INSTALLED WITHIN ALL SWALES IN ACCORDANCE WITH THE KINDER MORGAN BMP FIGURE NO. 22.
- REFER TO KINDER MORGAN CONSTRUCTION BEST MANAGEMENT PRACTICE MANUAL AND SHEETS TITLED "EROSION AND SEDIMENTATION NOTES," "GENERAL SEEDING NOTES," AND "RECYCLING AND DISPOSAL PLAN," FOR SPECIFIC INSTALLATION AND MAINTENANCE SPECIFICATIONS, AND EROSION CONTROLS.
- PROPOSED TRUCK PULL OFF ARE TEMPORARY AND SHALL BE REMOVED AFTER CONSTRUCTION. THE PULL OFF AREA SHALL BE REGRADED TO MATCH PRE CONSTRUCTION CONTOURS WHERE PRACTICAL. ALL PROPOSED PERMANENT SWALES AND ASSOCIATED CHECK DAMS SHALL BE REMOVED AND REINSTALLED ALONG THE PROPOSED EDGE OF ROAD.
- THE CONTRACTOR SHALL VERIFY ALL EXISTING CONDITIONS PRIOR TO CONSTRUCTION. THE CONTRACTOR SHALL IMMEDIATELY NOTIFY KINDER MORGAN, INC. AND/OR ITS ENGINEER OF ANY CONDITIONS THAT VARY FROM WHAT IS DEPICTED ON THIS PLAN.
- THE CONTRACTOR SHALL CONTACT CALL BEFORE YOU DIG CONNECTICUT (1-800-922-4455) A MINIMUM OF 72 HOURS PRIOR TO COMMENCEMENT OF CONSTRUCTION.
- ALL SLOPES THAT ARE EQUAL TO OR STEEPER THAN 1(V):3(H) SHALL BE SEEDED AND THEN COVERED WITH EROSION CONTROL MATTING PER KINDER MORGAN BMP NO. 41. THE MATTING SHALL BE INTERLOCKING TIMBER MATS OR APPROVED EQUAL AND INSTALLED IN ACCORDANCE WITH THE MANUFACTURERS SPECIFICATIONS. SEE DETAIL IN THE CONSTRUCTION BEST MANAGEMENT PRACTICES.
- ALL SLOPES THAT ARE STEEPER THAN 1(V):2(H) SHALL BE COVERED WITH RIPRAP SLOPE PROTECTION. SEE SLOPE PROTECTION DETAIL FOR INSTALLATION GUIDELINES IN THE CONSTRUCTION BEST MANAGEMENT PRACTICES.
- CONSTRUCTION ENTRANCES ARE TO BE CONSTRUCTED ON TEMPORARY ACCESS ROADS IF EXCESSIVE SEDIMENT IS CONVEYED ONTO THE MAIN TRAVEL WAY.



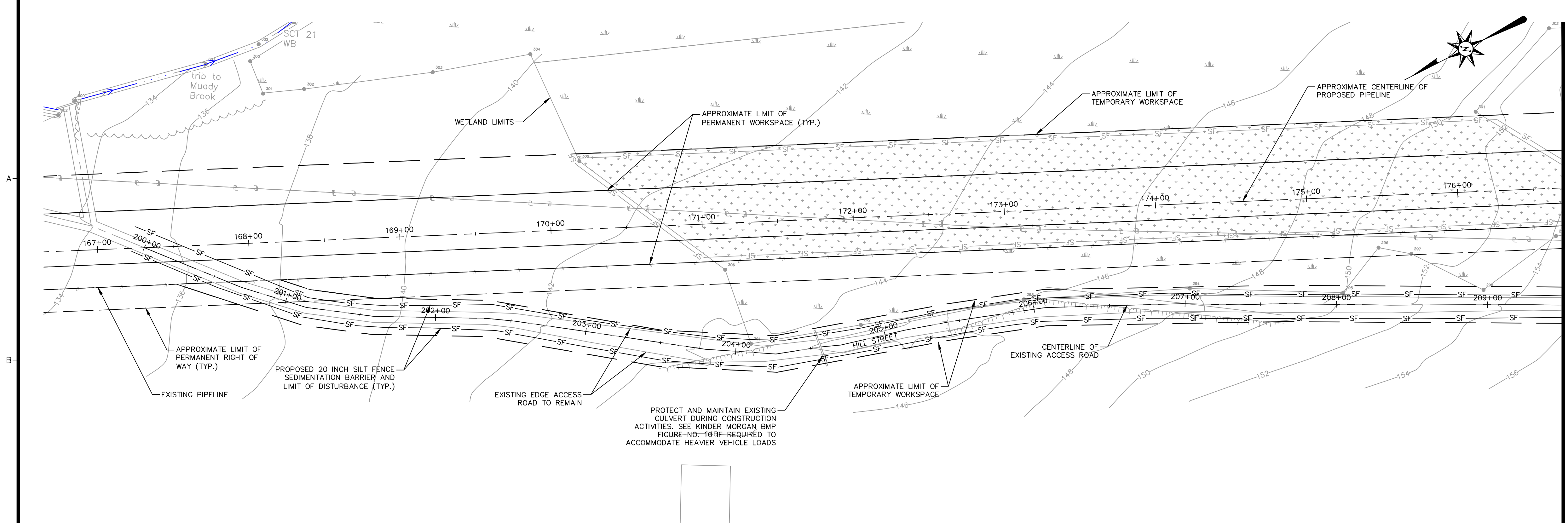
CONNECTICUT TEMPORARY ACCESS ROAD 4 - PROFILE

**LEGEND**

PROPOSED PIPELINE	POWER LINES
EXISTING PIPELINE	TELEPHONE CABLE
PROPERTY LINE	TELEPHONE LINE
STRUCTURE	CABLE LINE
ELEC CABLE	SILT FENCE
FENCE	PROPOSED EDGE OF ROAD
TREE LINE	PROPOSED SILT FENCE
FIBER OPTIC LINE	



DRAWING NUMBER		DRAWING TITLE	
REFERENCE DRAWINGS			
NO.	DATE	BY	DESCRIPTION
REVISIONS			
		a Kinder Morgan company	
CONNECTICUT EXPANSION PROJECT CONNECTICUT LOOP 300-500 PROPOSED NATURAL GAS PIPELINE TOWN OF SUFFIELD HARTFORD COUNTY, CONNECTICUT			
Division:	CT	Op. Area:	HARTFORD
State:		Co./Par.:	
Section:		Township:	SUFFIELD
Drifter: JMS	Date: 07/08/14	Project ID:	Range:
Chk'd: AP	Date: 4/21/15	Scale:	1" = 40'
Appr: DK	Date: 4/21/15	Filename:	
Sheet: Rev.			4 of 16

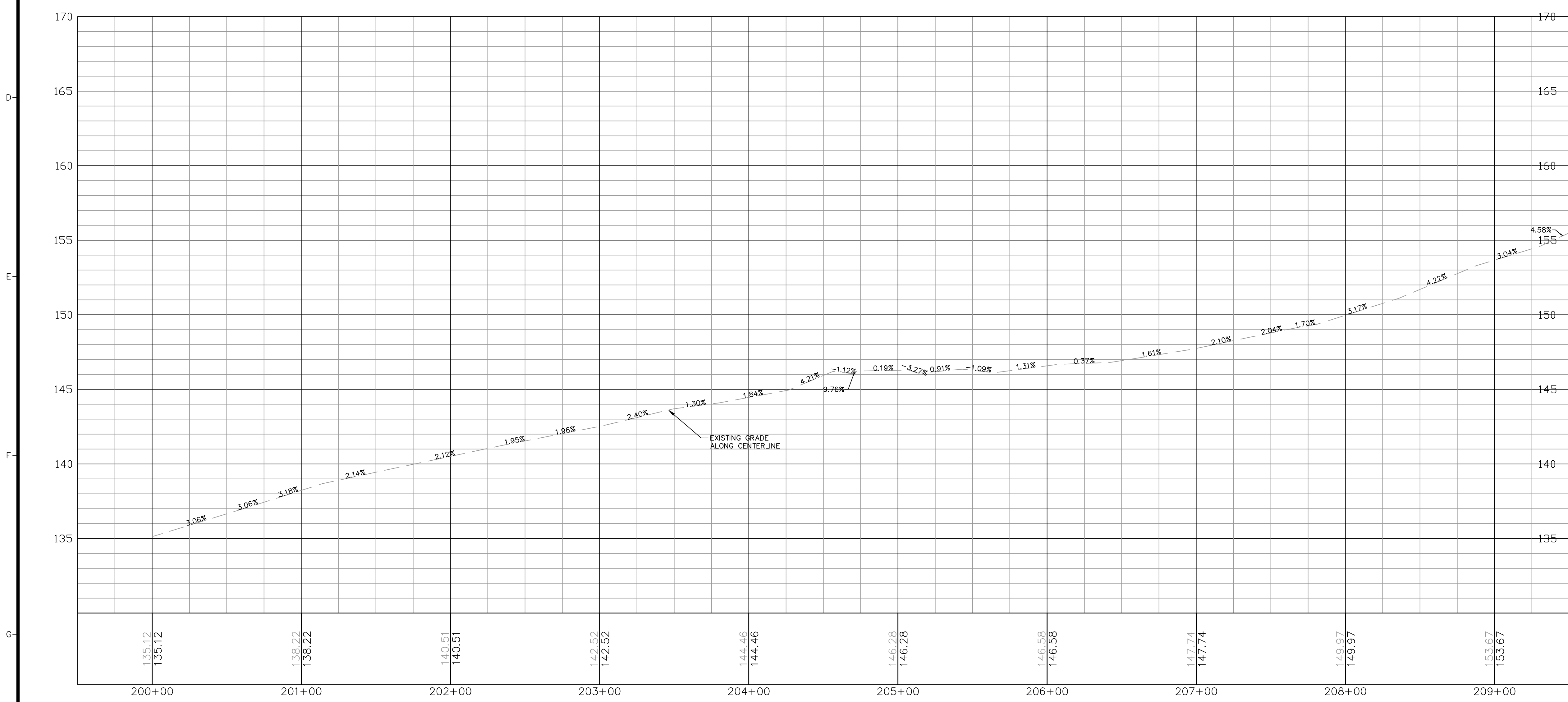


MATCHLINE: SEE SHEET 2

**GENERAL NOTES**

- CHECK DAMS SHALL BE INSTALLED WITHIN ALL SWALES IN ACCORDANCE WITH THE KINDER MORGAN BMP FIGURE NO. 22.
- REFER TO KINDER MORGAN CONSTRUCTION BEST MANAGEMENT PRACTICE MANUAL AND SHEETS TITLED "EROSION AND SEDIMENTATION NOTES," "GENERAL SEEDING NOTES," AND "RECYCLING AND DISPOSAL PLAN," FOR SPECIFIC INSTALLATION AND MAINTENANCE SPECIFICATIONS, AND EROSION CONTROLS.
- PROPOSED TRUCK PULL OFF ARE TEMPORARY AND SHALL BE REMOVED AFTER CONSTRUCTION. THE PULL OFF AREA SHALL BE REGRADED TO MATCH PRE CONSTRUCTION CONTOURS WHERE PRACTICAL. ALL PROPOSED PERMANENT SWALES AND ASSOCIATED CHECK DAMS SHALL BE REMOVED AND REINSTALLED ALONG THE PROPOSED EDGE OF ROAD.
- THE CONTRACTOR SHALL VERIFY ALL EXISTING CONDITIONS PRIOR TO CONSTRUCTION. THE CONTRACTOR SHALL IMMEDIATELY NOTIFY KINDER MORGAN, INC. AND/OR ITS ENGINEER OF ANY CONDITIONS THAT VARY FROM WHAT IS DEPICTED ON THIS PLAN.
- THE CONTRACTOR SHALL CONTACT CALL BEFORE YOU DIG CONNECTICUT (1-800-922-4455) A MINIMUM OF 72 HOURS PRIOR TO COMMENCEMENT OF CONSTRUCTION.
- ALL SLOPES THAT ARE EQUAL TO OR STEEPER THAN 1(V):3(H) SHALL BE SEEDED AND THEN COVERED WITH EROSION CONTROL MATTING PER KINDER MORGAN BMP NO. 41. THE MATTING SHALL BE INTERLOCKING TIMBER MATS OR APPROVED EQUAL AND INSTALLED IN ACCORDANCE WITH THE MANUFACTURERS SPECIFICATIONS. SEE DETAIL IN THE CONSTRUCTION BEST MANAGEMENT PRACTICES.
- ALL SLOPES THAT ARE STEEPER THAN 1(V):2(H) SHALL BE COVERED WITH RIPRAP SLOPE PROTECTION. SEE SLOPE PROTECTION DETAIL FOR INSTALLATION GUIDELINES IN THE CONSTRUCTION BEST MANAGEMENT PRACTICES.
- CONSTRUCTION ENTRANCES ARE TO BE CONSTRUCTED ON TEMPORARY ACCESS ROADS IF EXCESSIVE SEDIMENT IS CONVEYED ONTO THE MAIN TRAVEL WAY.

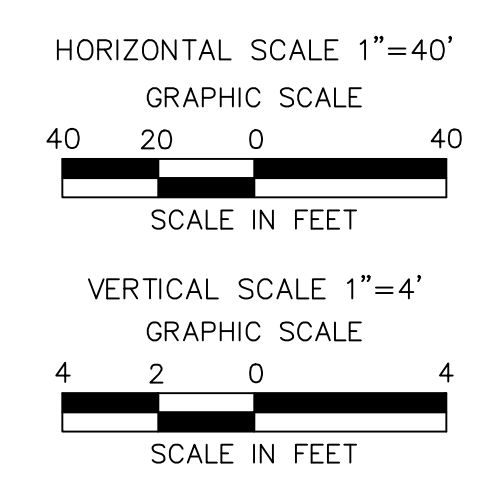
**CONNECTICUT TEMPORARY ACCESS ROAD 4a - PLAN (1 OF 2)**



**CONNECTICUT TEMPORARY ACCESS ROAD 4a - PROFILE (1 OF 2)**

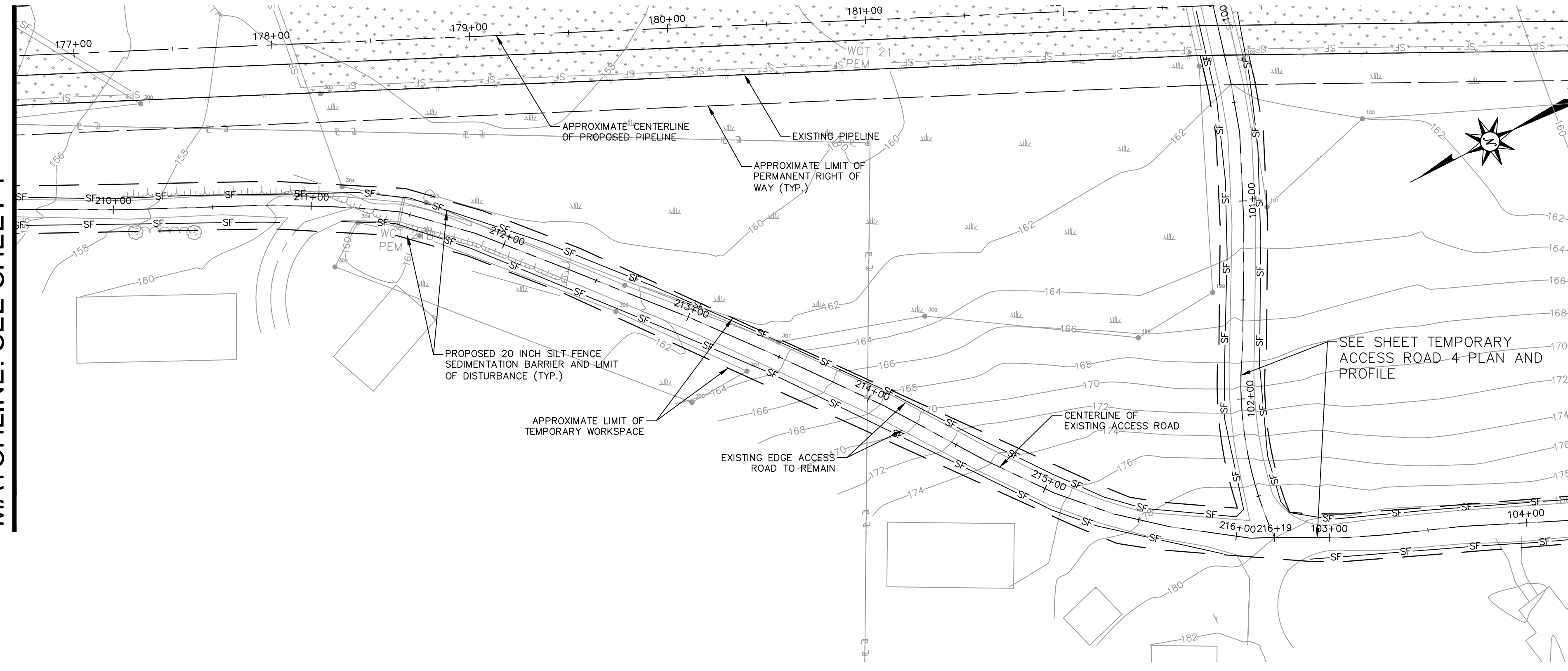
**LEGEND**

- PROPOSED PIPELINE
- EXISTING PIPELINE
- PROPERTY LINE
- STRUCTURE
- ELEC CABLE
- FENCE
- TREE LINE
- FIBER OPTIC LINE
- POWER LINES
- TELEPHONE CABLE
- TELEPHONE LINE
- CABLE LINE
- SILT FENCE
- PROPOSED EDGE OF ROAD
- PROPOSED SILT FENCE



DRAWING NUMBER		DRAWING TITLE	
REFERENCE DRAWINGS			
NO.	DATE	BY	DESCRIPTION
REVISIONS			
		Op. Area: HARTFORD	
CONNECTICUT EXPANSION PROJECT CONNECTICUT LOOP 300-500 PROPOSED NATURAL GAS PIPELINE TOWN OF SUFFIELD HARTFORD COUNTY, CONNECTICUT		Co./Par.: HARTFORD	
Division:	CT	Op. Area:	HARTFORD
State:	CT	Co./Par.:	HARTFORD
Section:	Township:	SUFFIELD	Range:
Drafter: JMS	Date: 07/08/14	Project ID:	Type:
Chk'd: AP	Date: 4/21/15	Scale: 1" = 40'	
Appr: DK	Date: 4/21/15	Filename:	
			Sheet: Rev. 5 of 16

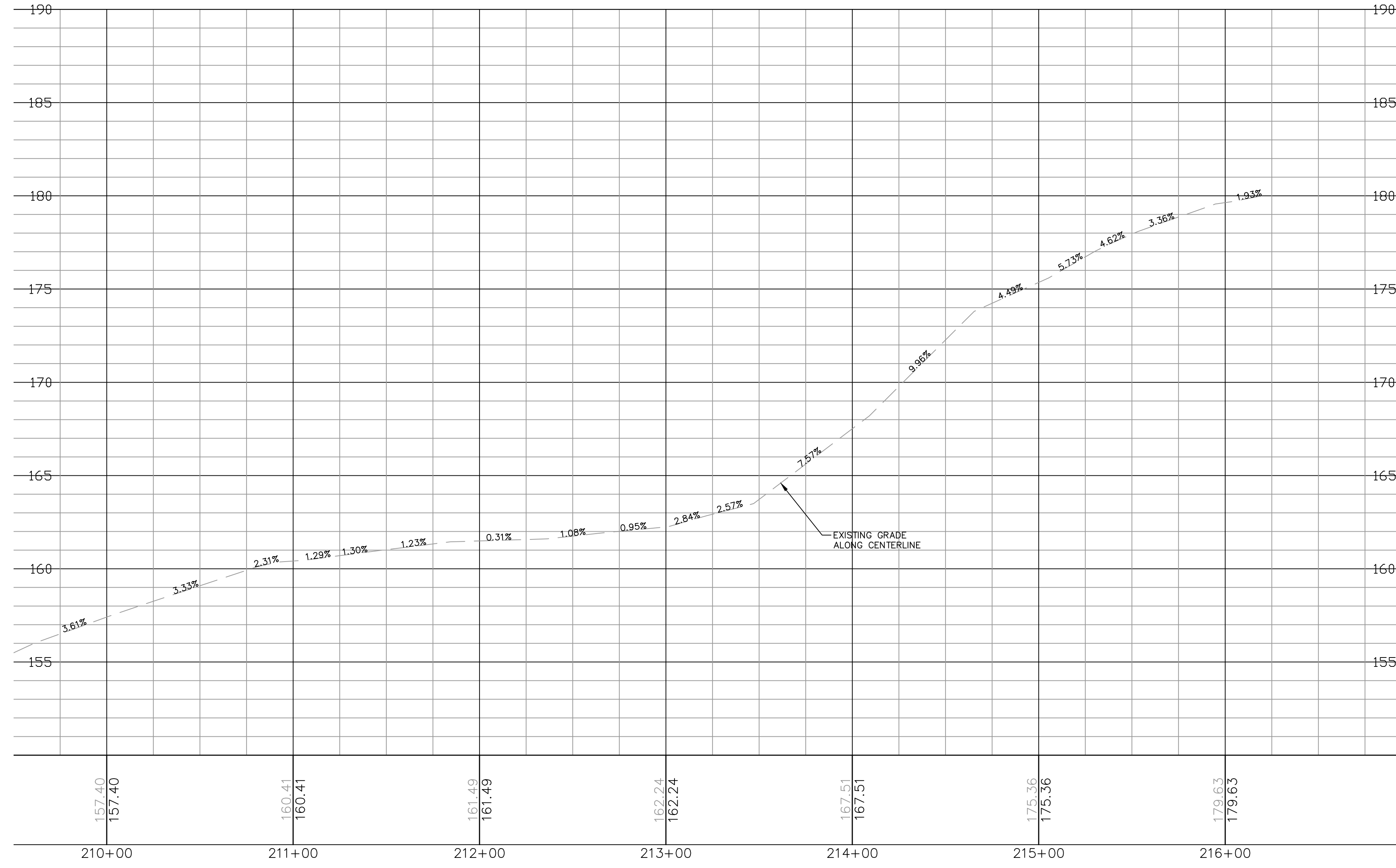
MATCHLINE: SEE SHEET 1



CONNECTICUT TEMPORARY ACCESS ROAD 4a - PLAN (2 OF 2)

**GENERAL NOTES**

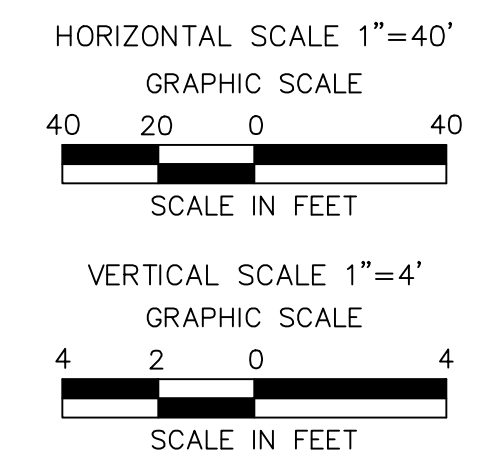
1. CHECK DAMS SHALL BE INSTALLED WITHIN ALL SWALES IN ACCORDANCE WITH THE KINDER MORGAN BMP FIGURE NO. 22.
2. REFER TO KINDER MORGAN CONSTRUCTION BEST MANAGEMENT PRACTICE MANUAL AND SHEETS TITLED "EROSION AND SEDIMENTATION NOTES," "GENERAL SEEDING NOTES," AND "RECYCLING AND DISPOSAL PLAN," FOR SPECIFIC INSTALLATION AND MAINTENANCE SPECIFICATIONS, AND EROSION CONTROLS.
3. PROPOSED TRUCK PULL OFF ARE TEMPORARY AND SHALL BE REMOVED AFTER CONSTRUCTION. THE PULL OFF AREA SHALL BE REGRADED TO MATCH PRE CONSTRUCTION CONTOURS WHERE PRACTICAL. ALL PROPOSED PERMANENT SWALES AND ASSOCIATED CHECK DAMS SHALL BE REMOVED AND REINSTALLED ALONG THE PROPOSED EDGE OF ROAD.
4. THE CONTRACTOR SHALL VERIFY ALL EXISTING CONDITIONS PRIOR TO CONSTRUCTION. THE CONTRACTOR SHALL IMMEDIATELY NOTIFY KINDER MORGAN, INC. AND/OR ITS ENGINEER OF ANY CONDITIONS THAT VARY FROM WHAT IS DEPICTED ON THIS PLAN.
5. THE CONTRACTOR SHALL CONTACT CALL BEFORE YOU DIG CONNECTICUT (1-800-922-4455) A MINIMUM OF 72 HOURS PRIOR TO COMMENCEMENT OF CONSTRUCTION.
6. ALL SLOPES THAT ARE EQUAL TO OR STEEPER THAN 1(V):3(H) SHALL BE SEEDED AND THEN COVERED WITH EROSION CONTROL MATTING PER KINDER MORGAN BMP NO. 41. THE MATTING SHALL BE INTERLOCKING TIMBER MATS OR APPROVED EQUAL AND INSTALLED IN ACCORDANCE WITH THE MANUFACTURERS SPECIFICATIONS. SEE DETAIL IN THE CONSTRUCTION BEST MANAGEMENT PRACTICES.
7. ALL SLOPES THAT ARE STEEPER THAN 1(V):2(H) SHALL BE COVERED WITH RIPRAP SLOPE PROTECTION. SEE SLOPE PROTECTION DETAIL FOR INSTALLATION GUIDELINES IN THE CONSTRUCTION BEST MANAGEMENT PRACTICES.
8. CONSTRUCTION ENTRANCES ARE TO BE CONSTRUCTED ON TEMPORARY ACCESS ROADS IF EXCESSIVE SEDIMENT IS CONVEYED ONTO THE MAIN TRAVEL WAY.



CONNECTICUT TEMPORARY ACCESS ROAD 4a - PROFILE (2 OF 2)

**LEGEND**

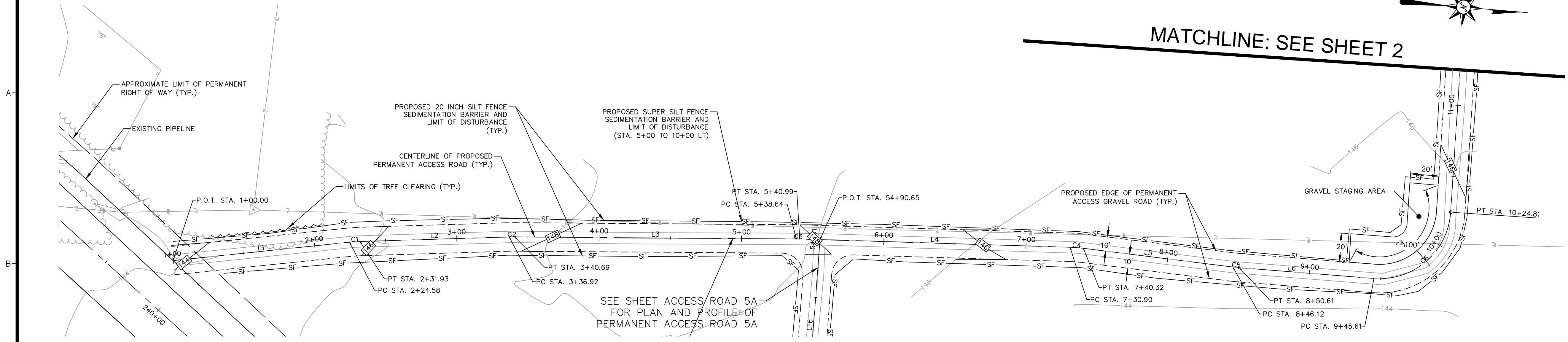
- PROPOSED PIPELINE
- EXISTING PIPELINE
- PROPERTY LINE
- STRUCTURE
- ELEC CABLE
- FENCE
- TREE LINE
- FIBER OPTIC LINE
- POWER LINES
- TELEPHONE CABLE
- TELEPHONE LINE
- CABLE LINE
- SILT FENCE
- PROPOSED EDGE OF ROAD
- PROPOSED SILT FENCE



DRAWING NUMBER		DRAWING TITLE			
REFERENCE DRAWINGS					
NO.	DATE	BY	DESCRIPTION	PROJ. ID	APPR.
REVISIONS					
		Tennessee Gas Pipeline Company, L.L.C. a Kinder Morgan company			
CONNECTICUT EXPANSION PROJECT CONNECTICUT LOOP 300-500 PROPOSED NATURAL GAS PIPELINE TOWN OF SUFFIELD HARTFORD COUNTY, CONNECTICUT					
Division:	CT	Op. Area:	HARTFORD		
State:		Co./Par.:	SUFFIELD		
Section:		Township:	SUFFIELD	Range:	
Drafter: JMS	Date: 07/08/14	Project ID:		Type:	
Chk'd: AP	Date: 4/21/15	Scale:	1" = 40'	Filename:	
Appr: DK	Date: 4/21/15				
					Sheet: Rev. 6 of 16

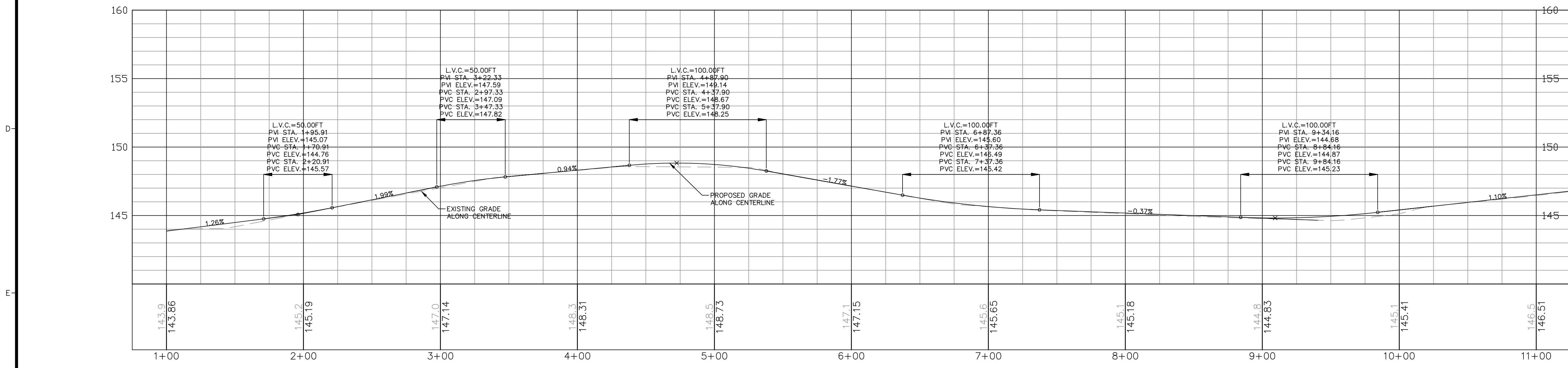


MATCHLINE: SEE SHEET 2



CONNECTICUT PERMANENT ACCESS ROAD 5 - PLAN (1 OF 2)

PAR CT-5						
No.	Northing	Easting	Bearing	Delta(Δ)	Length	Tangent
L1	B 15255314.48 E 15255436.79	B 2272327.59 E 2272303.93	S10°56'49.69"E		124.58'	
C1	PC 15255436.79 PI 15255440.45 PT 15255444.05	PC 2272303.93 PI 2272303.23 PT 2272302.80		4'12'35"	7.35'	3.68'
L2	B 15255444.05 E 15255548.32	B 2272302.80 E 2272290.48	N6°44'14.28"W		104.99'	
C2	PC 15255548.32 PI 15255550.19 PT 15255552.07	PC 2272290.48 PI 2272290.26 PT 2272290.11		2'09'34"	3.77'	1.88'
L3	B 15255552.07 E 15255749.39	B 2272290.11 E 2272274.31	N4°34'40.26"W		197.95'	
C3	PC 15255749.39 PI 15255750.56 PT 15255751.73	PC 2272274.31 PI 2272274.22 PT 2272274.15		1'20'58"	2.35'	1.18'
L4	B 15255751.73 E 15255941.34	B 2272274.15 E 2272263.36	N3°15'28.98"W		189.91'	
C4	PC 15255941.34 PI 15255945.04 PT 15255949.75	PC 2272263.36 PI 2272263.09 PT 2272262.27		5'23'42"	9.42'	4.71'
L5	B 15255949.75 E 15256056.48	B 2272263.09 E 2272267.21	N2°08'13.10"E		105.80'	
C5	PC 15256056.48 PI 15256058.72 PT 15256060.96	PC 2272267.21 PI 2272267.29 PT 2272267.28		2'34'13"	4.49'	2.24'
L6	B 15256060.96 E 15256155.98	B 2272267.28 E 2272266.56	N0°26'00.22"W		95.00'	
C6	PC 15256155.98 PI 15256206.63 PT 15256205.57	PC 2272266.56 PI 2272266.18 PT 2272265.52		90°45'47"	79.21'	50.67'



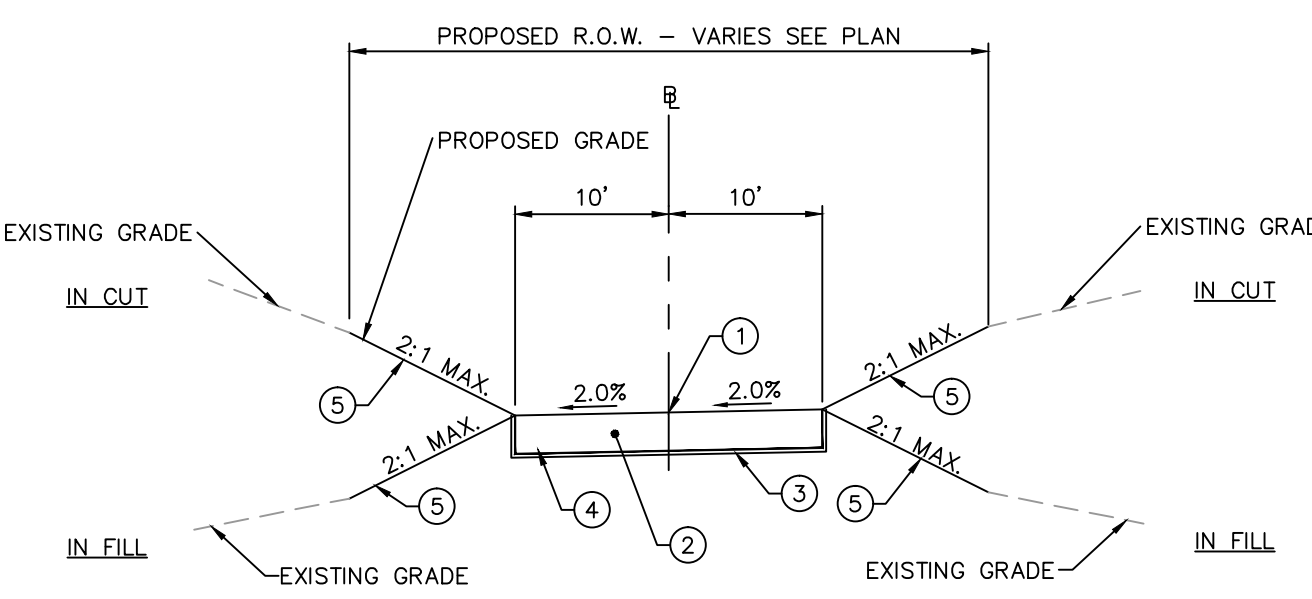
CONNECTICUT PERMANENT ACCESS ROAD 5 - PROFILE (1 OF 2)

GENERAL NOTES

- CHECK DAMS SHALL BE INSTALLED WITHIN ALL SWALES IN ACCORDANCE WITH THE KINDER MORGAN BMP FIGURE NO. 22.
- REFER TO KINDER MORGAN CONSTRUCTION BEST MANAGEMENT PRACTICE MANUAL AND SHEETS TITLED "EROSION AND SEDIMENTATION NOTES," "GENERAL SEEDING NOTES," AND "RECYCLING AND DISPOSAL PLAN," FOR SPECIFIC INSTALLATION AND MAINTENANCE SPECIFICATIONS, AND EROSION CONTROLS.
- PROPOSED TRUCK PULL OFF ARE TEMPORARY AND SHALL BE REMOVED AFTER CONSTRUCTION. THE PULL OFF AREA SHALL BE REGRADED TO MATCH PRE CONSTRUCTION CONTOURS WHERE PRACTICAL. ALL PROPOSED PERMANENT SWALES AND ASSOCIATED CHECK DAMS SHALL BE REMOVED AND REINSTALLED ALONG THE PROPOSED EDGE OF ROAD.
- THE CONTRACTOR SHALL VERIFY ALL EXISTING CONDITIONS PRIOR TO CONSTRUCTION. THE CONTRACTOR SHALL IMMEDIATELY NOTIFY KINDER MORGAN, INC. AND/OR ITS ENGINEER OF ANY CONDITIONS THAT VARY FROM WHAT IS DEPICTED ON THIS PLAN.
- THE CONTRACTOR SHALL CONTACT CALL BEFORE YOU DIG CONNECTICUT (1-800-922-4455) A MINIMUM OF 72 HOURS PRIOR TO COMMENCEMENT OF CONSTRUCTION.
- ALL SLOPES THAT ARE EQUAL TO OR STEEPER THAN 1(V):3(H) SHALL BE SEEDED AND THEN COVERED WITH EROSION CONTROL MATTING PER KINDER MORGAN BMP NO. 41. THE MATTING SHALL BE INTERLOCKING TIMBER MATS OR APPROVED EQUAL AND INSTALLED IN ACCORDANCE WITH THE MANUFACTURERS SPECIFICATIONS. SEE DETAIL IN THE CONSTRUCTION BEST MANAGEMENT PRACTICES.
- ALL SLOPES THAT ARE STEEPER THAN 1(V):2(H) SHALL BE COVERED WITH RIPRAP SLOPE PROTECTION. SEE SLOPE PROTECTION DETAIL FOR INSTALLATION GUIDELINES IN THE CONSTRUCTION BEST MANAGEMENT PRACTICES.
- CONSTRUCTION ENTRANCES ARE TO BE CONSTRUCTED ON TEMPORARY ACCESS ROADS IF EXCESSIVE SEDIMENT IS CONVEYED ONTO THE MAIN TRAVEL WAY.

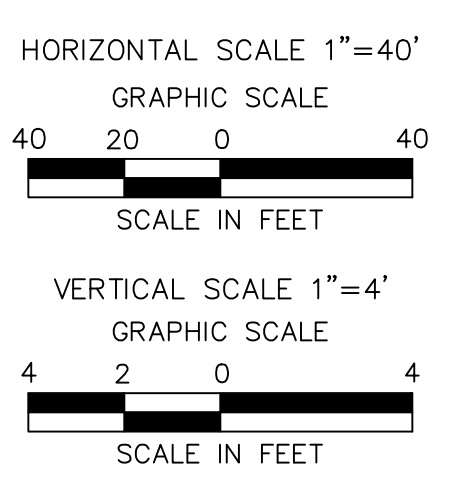
LEGEND

PROPOSED PIPELINE	---
EXISTING PIPELINE	---
PROPERTY LINE	---
STRUCTURE	---
ELEC CABLE	EC --- EC
FENCE	-X-X-X-X-X-
TREE LINE	~~~~~
FIBER OPTIC LINE	-C-C-C-
POWER LINES	-P-P-P-
TELEPHONE CABLE	-TC-TC-TC-
TELEPHONE LINE	-T-T-T-
CABLE LINE	-C-C-C-
SILT FENCE	-SF-SF-SF-
PROPOSED EDGE OF ROAD	---
PROPOSED SILT FENCE	-SF-SF-SF-



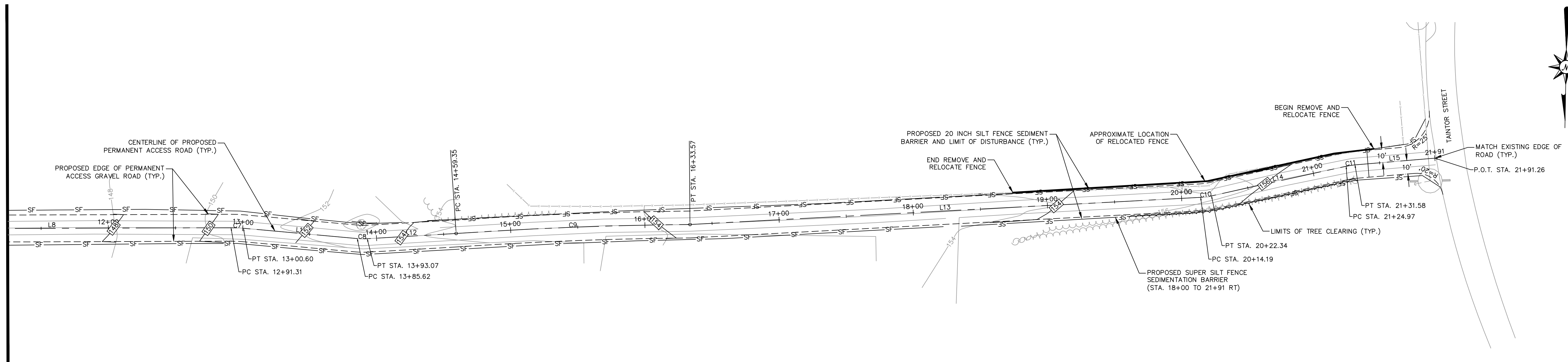
TYPICAL SECTION LEGEND

- CENTERLINE OF ACCESS ROAD
- 12" LAYER CRUSHER RUN STONE, GRADING "A" (M02.06, CONDOT 816)
- SEPARATION FILTER FABRIC (TENCATE GEOSYNTHETICS 170N OR APPROVED EQUAL)
- UNDISTURBED GROUND IN CUTS/SUBBASE IN FILLS
- EROSION CONTROL BLANKET, TOPSOIL AND SEED

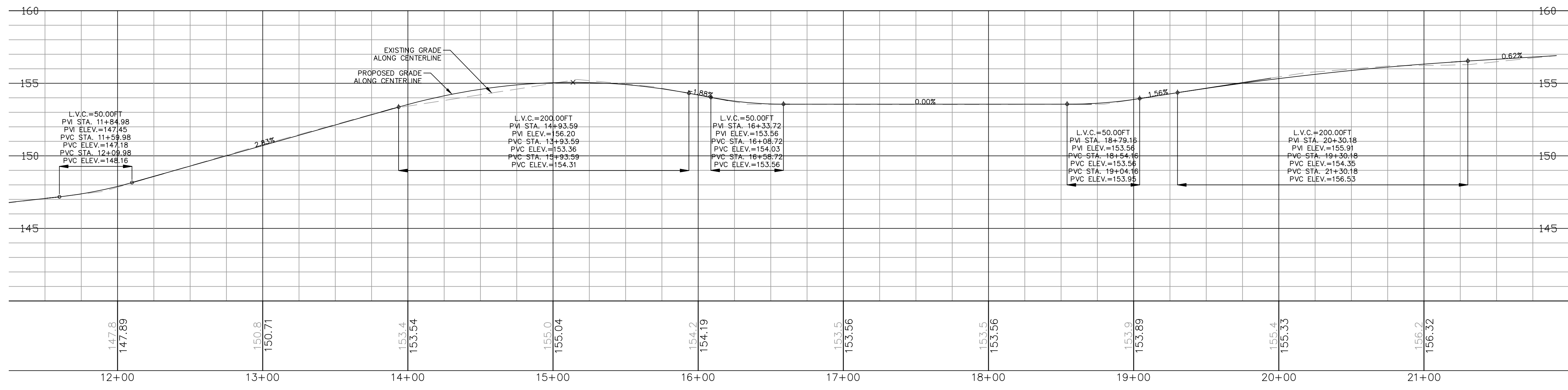


DRAWING NUMBER		DRAWING TITLE	
REFERENCE DRAWINGS			
NO.	DATE	BY	DESCRIPTION
REVISIONS			
		a Kinder Morgan company	
CONNECTICUT EXPANSION PROJECT			
CONNECTICUT LOOP 300-500			
PROPOSED NATURAL GAS PIPELINE			
TOWN OF SUFFIELD			
HARTFORD COUNTY, CONNECTICUT			
Division:	CT	Op. Area:	HARTFORD
Section:	Township:	SUFFIELD	Range:
Drafter: JMS	Date: 07/08/14	Project ID:	Type:
Chk'd: AP	Date: 4/21/15	Scale: 1" = 40'	Filename:
Appr: DK	Date: 4/21/15		
Sheet: Rev.			7 of 16

MATCHLINE: SEE SHEET 1



CONNECTICUT PERMANENT ACCESS ROAD 5 - PLAN (2 OF 2)

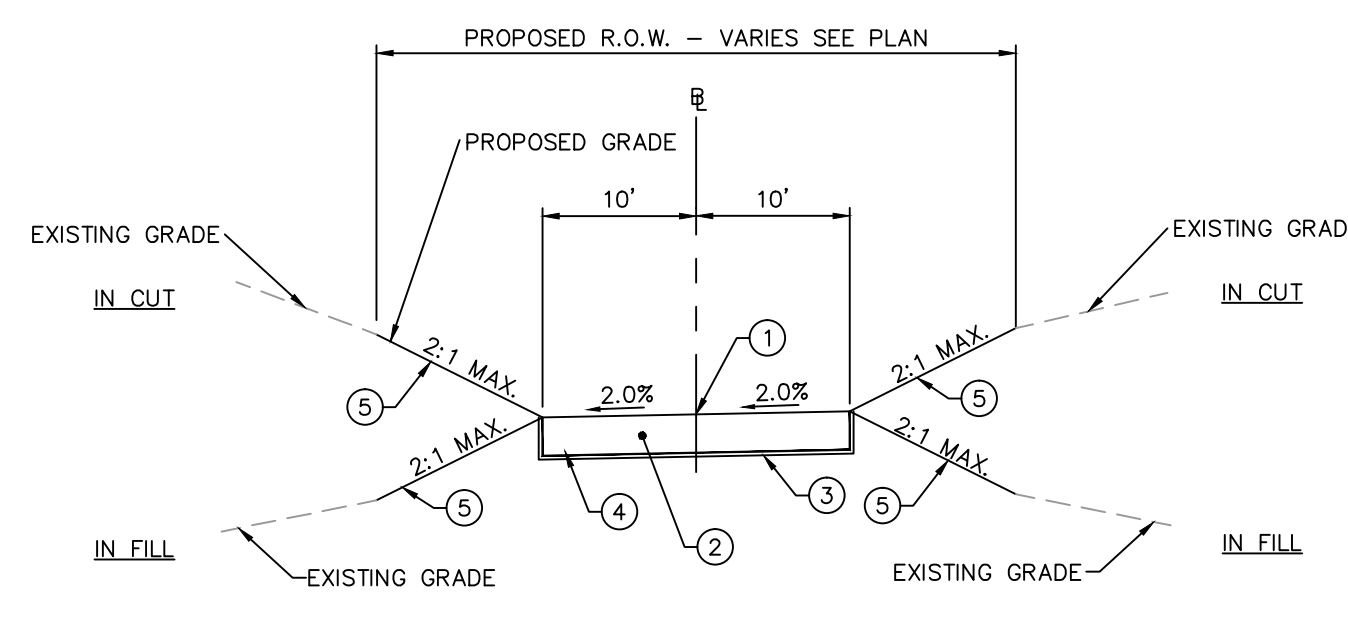


CONNECTICUT PERMANENT ACCESS ROAD 5 - PROFILE (2 OF 2)

No.	Northing	Easting	Bearing	Delta(Δ)	Length	Tangent	Radius
L8	B 15256205.57 E 15256200.01	B 2272215.52 E 2271949.08	S88°48'12.57"W		266.50'		
C7	PC 15256200.01 PI 15256199.91 PT 15256200.25	PC 2271949.08 PI 2271944.43 PT 2271939.79		5'19"24"	9.29'	4.65'	100.0'
L11	B 15256200.25 E 15256206.43	B 2271939.79 E 2271855.00	N85°50'01.41"W		85.02'		
C8	PC 15256206.43 PI 15256206.70 PT 15256206.42	PC 2271855.00 PI 2271851.28 PT 2271847.56		8°31'55"	7.45'	3.73'	50.0'
L12	B 15256206.42 E 15256201.37	B 2271847.56 E 2271781.47	S85°38'03.72"W		66.29'		
C9	PC 15256201.37 PI 15256193.91 PT 15256191.64	PC 2271781.47 PI 2271694.65 PT 2271607.55		3'24"59"	174.21'	87.13'	2921.6'
L13	B 15256191.64 E 15256164.85	B 2271607.55 E 2271227.87	S85°57'47.79"W		380.62'		
C10	PC 15256164.85 PI 15256164.56 PT 15256163.61	PC 2271227.87 PI 2271223.80 PT 2271219.83		9'20"10"	8.15'	4.08'	50.0'
L14	B 15256163.61 E 15256139.82	B 2271219.83 E 2271119.99	S76°35'56.85"W		102.63'		
C11	PC 15256139.82 PI 15256139.06 PT 15256138.72	PC 2271119.99 PI 2271116.77 PT 2271113.48		7°34'19"	6.61'	3.31'	50.0'
L15	B 15256138.72 E 15256132.66	B 2271113.48 E 2271054.11	S84°10'16.28"W		59.68'		

**GENERAL NOTES**

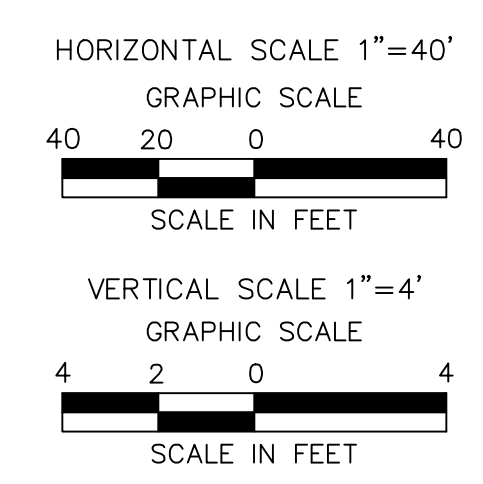
- CHECK DAMS SHALL BE INSTALLED WITHIN ALL SWALES IN ACCORDANCE WITH THE KINDER MORGAN BMP FIGURE NO. 22. REFER TO KINDER MORGAN CONSTRUCTION BEST MANAGEMENT PRACTICE MANUAL AND SHEETS TITLED "EROSION AND SEDIMENTATION NOTES," "GENERAL SEEDING NOTES," AND "RECYCLING AND DISPOSAL PLAN," FOR SPECIFIC INSTALLATION AND MAINTENANCE SPECIFICATIONS, AND EROSION CONTROLS.
- PROPOSED TRUCK PULL OFF ARE TEMPORARY AND SHALL BE REMOVED AFTER CONSTRUCTION. THE PULL OFF AREA SHALL BE GRADED TO MATCH PRE CONSTRUCTION CONTOURS WHERE PRACTICAL. ALL PROPOSED PERMANENT SWALES AND ASSOCIATED CHECK DAMS SHALL BE REMOVED AND REINSTALLED ALONG THE PROPOSED EDGE OF ROAD.
- THE CONTRACTOR SHALL VERIFY ALL EXISTING CONDITIONS PRIOR TO CONSTRUCTION. THE CONTRACTOR SHALL IMMEDIATELY NOTIFY KINDER MORGAN, INC. AND/OR ITS ENGINEER OF ANY CONDITIONS THAT VARY FROM WHAT IS DEPICTED ON THIS PLAN.
- FOR PRACTICAL ALL PROPOSED PERMANENT SWALES AND ASSOCIATED CHECK DAMS SHALL BE REMOVED AND REINSTALLED ALONG THE PROPOSED EDGE OF ROAD.
- THE CONTRACTOR SHALL CONTACT CALL BEFORE YOU DIG CONNECTICUT (1-800-922-4455) A MINIMUM OF 72 HOURS PRIOR TO COMMENCEMENT OF CONSTRUCTION.
- ALL SLOPES THAT ARE EQUAL TO OR STEEPER THAN 1(V):3(H) SHALL BE SEEDED AND THEN COVERED WITH EROSION CONTROL MATTING PER KINDER MORGAN BMP NO. 41. THE MATTING SHALL BE INTERLOCKING TIMBER MATS OR APPROVED EQUAL AND INSTALLED IN ACCORDANCE WITH THE MANUFACTURERS SPECIFICATIONS. SEE DETAIL IN THE CONSTRUCTION BEST MANAGEMENT PRACTICES.
- ALL SLOPES THAT ARE STEEPER THAN 1(V):2(H) SHALL BE COVERED WITH RIPRAP SLOPE PROTECTION. SEE SLOPE PROTECTION DETAIL FOR INSTALLATION GUIDELINES IN THE CONSTRUCTION BEST MANAGEMENT PRACTICES.
- CONSTRUCTION ENTRANCES ARE TO BE CONSTRUCTED ON TEMPORARY ACCESS ROADS IF EXCESSIVE SEDIMENT IS CONVEYED ONTO THE MAIN TRAVEL WAY.



TYPICAL SECTION STA. 1+00 TO 21+91.26

**TYPICAL SECTION LEGEND**

- CENTERLINE OF ACCESS ROAD
- 12" LAYER CRUSHER RUN STONE, GRADING "A" (M02.06, CONDOT 816)
- SEPARATION FILTER FABRIC (TENCATE GEOSYNTHETICS 170N OR APPROVED EQUAL)
- UNDISTURBED GROUND IN CUTS/SUBBASE IN FILLS
- EROSION CONTROL BLANKET, TOPSOIL AND SEED

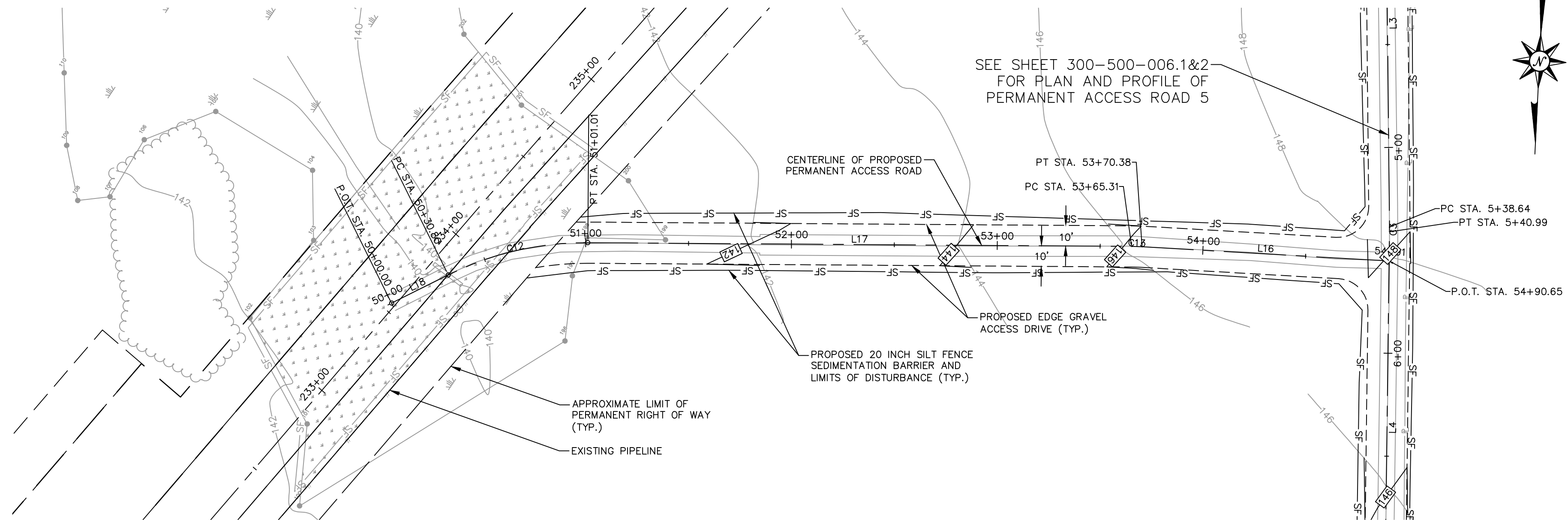


**LEGEND**

- PROPOSED PIPELINE
- EXISTING PIPELINE
- PROPERTY LINE
- STRUCTURE
- ELEC CABLE
- FENCE
- TREE LINE
- FIBER OPTIC LINE
- POWER LINES
- TELEPHONE CABLE
- TELEPHONE LINE
- CABLE LINE
- SILT FENCE
- PROPOSED EDGE OF ROAD
- PROPOSED SILT FENCE

DRAWING NUMBER		DRAWING TITLE	
REFERENCE DRAWINGS			
NO.	DATE	BY	DESCRIPTION
REVISIONS			
PROJECT INFORMATION		PROJECT INFORMATION	
		<b>CONNECTICUT EXPANSION PROJECT</b> CONNECTICUT LOOP 300-500 PROPOSED NATURAL GAS PIPELINE TOWN OF SUFFIELD HARTFORD COUNTY, CONNECTICUT	
Division:	CT	Op. Area:	HARTFORD
State:		Co./Par.:	
Section:		SUBFIELD	Range:
Drafter: JMS	Date: 07/08/14	Project ID:	Type:
Chk'd: AP	Date: 4/21/15	Scale: 1" = 40'	
Appr: DK	Date: 4/21/15	Filename:	
Sheet: 8 of 16		Rev.:	





CONNECTICUT PERMANENT ACCESS ROAD 5a - PLAN

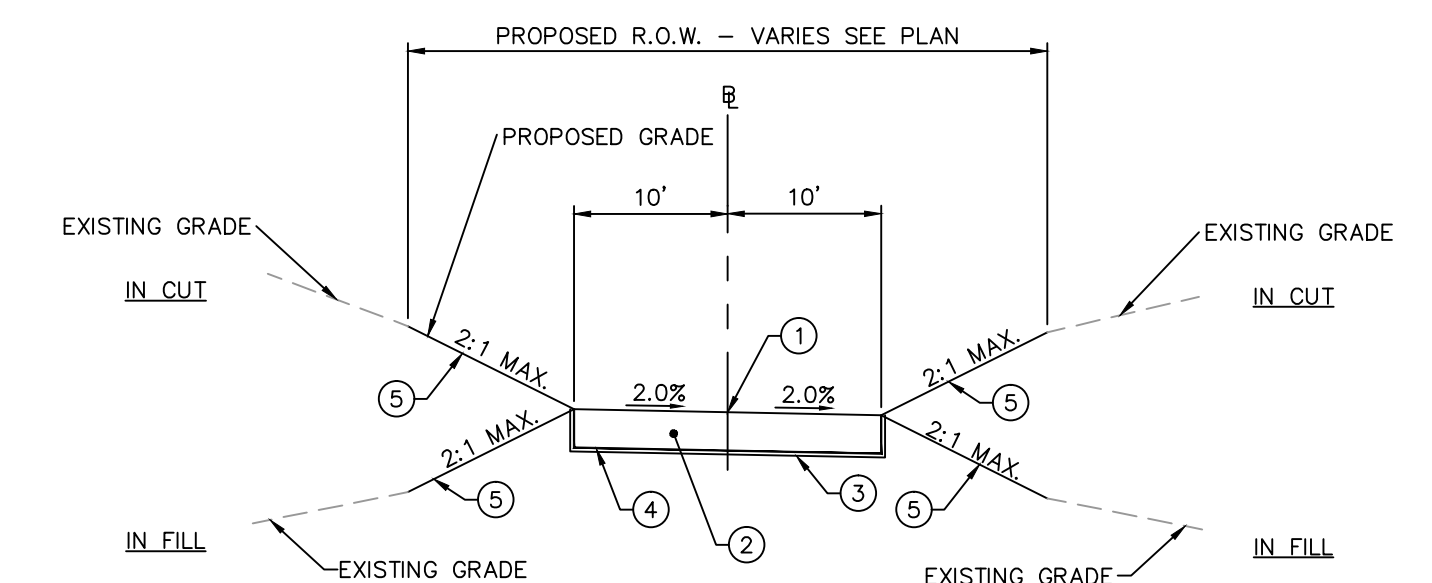
PAR CT-5a						
No.	Northing	Easting	Bearing	Delta(Δ)	Length	Tangent
L18	B 15255820.13 E 15255804.53	B 2272755.54 E 2272728.98	S59°34'34.38"W		30.80'	
C12	PC 15255804.53 PI 15255786.42 PT 15255784.18	PC 2272728.98 PI 2272739.14 PT 2272662.45		26°49'06"	70.21'	35.76' 150.0'
L17	B 15255784.18 E 15255767.55	B 2272662.45 E 2272398.67	S86°23'40.14"W		264.30'	
C13	PC 15255767.55 PI 15255767.39 PT 15255767.36	PC 2272398.67 PI 2272396.14 PT 2272393.61		2°54'13"	5.07'	2.53' 100.0'
L16	B 15255767.36 E 15255765.89	B 2272393.61 E 2272273.35	S89°17'52.87"W		120.27'	

GENERAL NOTES

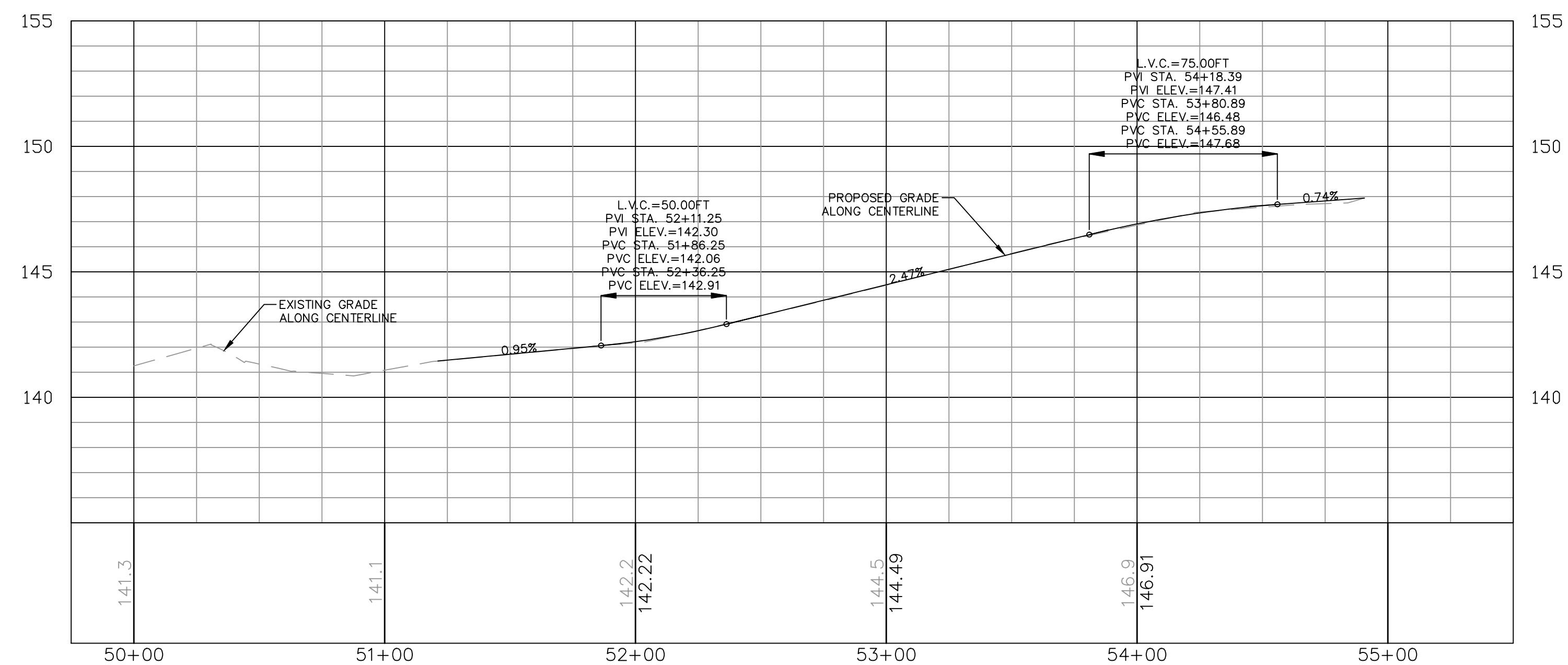
- CHECK DAMS SHALL BE INSTALLED WITHIN ALL SWALES IN ACCORDANCE WITH THE KINDER MORGAN BMP FIGURE NO. 22. REFER TO KINDER MORGAN CONSTRUCTION BEST MANAGEMENT PRACTICE MANUAL AND SHEETS TITLED "EROSION AND SEDIMENTATION NOTES," "GENERAL SEEDING NOTES," AND "RECYCLING AND DISPOSAL PLAN," FOR SPECIFIC INSTALLATION AND MAINTENANCE SPECIFICATIONS, AND EROSION CONTROLS.
- PROPOSED TRUCK PULL OFF ARE TEMPORARY AND SHALL BE REMOVED AFTER CONSTRUCTION. THE PULL OFF AREA SHALL BE REGRADED TO MATCH PRE CONSTRUCTION CONTOURS WHERE PRACTICAL. ALL PROPOSED PERMANENT SWALES AND ASSOCIATED CHECK DAMS SHALL BE REMOVED AND REINSTALLED ALONG THE PROPOSED EDGE OF ROAD.
- THE CONTRACTOR SHALL VERIFY ALL EXISTING CONDITIONS PRIOR TO CONSTRUCTION. THE CONTRACTOR SHALL IMMEDIATELY NOTIFY KINDER MORGAN, INC. AND/OR ITS ENGINEER OF ANY CONDITIONS THAT VARY FROM WHAT IS DEPICTED ON THIS PLAN.
- THE CONTRACTOR SHALL CONTACT CALL BEFORE YOU DIG CONNECTICUT (1-800-922-4455) A MINIMUM OF 72 HOURS PRIOR TO COMMENCEMENT OF CONSTRUCTION.
- ALL SLOPES THAT ARE EQUAL TO OR STEEPER THAN 1(V):3(H) SHALL BE SEEDED AND THEN COVERED WITH EROSION CONTROL MATTING PER KINDER MORGAN BMP NO. 41. THE MATTING SHALL BE INTERLOCKING TIMBER MATS OR APPROVED EQUAL AND INSTALLED IN ACCORDANCE WITH THE MANUFACTURERS SPECIFICATIONS. SEE DETAIL IN THE CONSTRUCTION BEST MANAGEMENT PRACTICES.
- ALL SLOPES THAT ARE STEEPER THAN 1(V):2(H) SHALL BE COVERED WITH RIPRAP SLOPE PROTECTION. SEE SLOPE PROTECTION DETAIL FOR INSTALLATION GUIDELINES IN THE CONSTRUCTION BEST MANAGEMENT PRACTICES.
- CONSTRUCTION ENTRANCES ARE TO BE CONSTRUCTED ON TEMPORARY ACCESS ROADS IF EXCESSIVE SEDIMENT IS CONVEYED ONTO THE MAIN TRAVEL WAY.

TYPICAL SECTION LEGEND

- CENTERLINE OF ACCESS ROAD
- 12" LAYER CRUSHER RUN STONE, GRADING "A" (M02.06, CONNDOT 816)
- SEPARATION FILTER FABRIC (TENCATE GEOSYNTHETICS 170N OR APPROVED EQUAL)
- UNDISTURBED GROUND IN CUTS/SUBBASE IN FILLS
- EROSION CONTROL BLANKET, TOPSOIL AND SEED



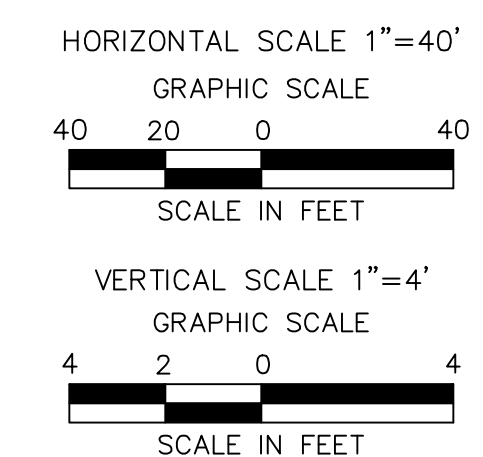
TYPICAL SECTION STA. 1+00 TO 7+67.15



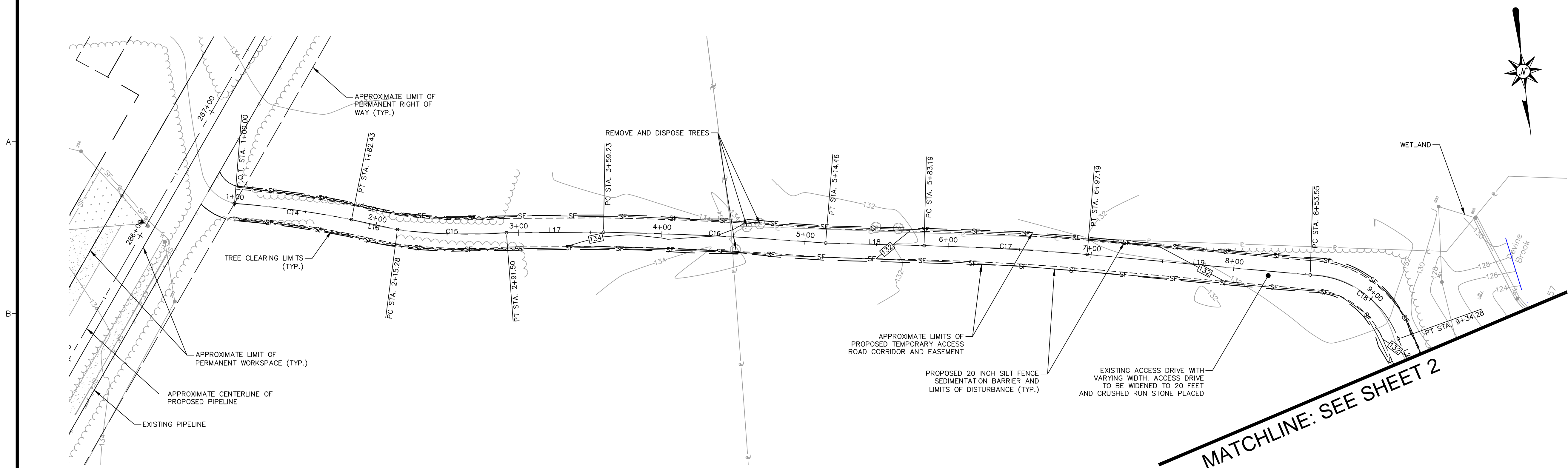
CONNECTICUT PERMANENT ACCESS ROAD 5a - PROFILE

LEGEND

- PROPOSED PIPELINE
- EXISTING PIPELINE
- PROPERTY LINE
- STRUCTURE
- ELEC. CABLE
- FENCE
- TREE LINE
- FIBER OPTIC LINE
- POWER LINES
- TELEPHONE CABLE
- TELEPHONE LINE
- CABLE LINE
- SILT FENCE
- PROPOSED EDGE OF ROAD
- PROPOSED SILT FENCE



DRAWING NUMBER		DRAWING TITLE	
REFERENCE DRAWINGS			
NO.	DATE	BY	DESCRIPTION
REVISIONS			
		a Kinder Morgan company	
CONNECTICUT EXPANSION PROJECT			
CONNECTICUT LOOP 300-500			
PROPOSED NATURAL GAS PIPELINE			
TOWN OF SUFFIELD			
HARTFORD COUNTY, CONNECTICUT			
Division:	CT	Op. Area:	HARTFORD
State:		Co./Par.:	
Section:	Township:	SUFFIELD	Range:
Drafter: JMS	Date: 07/08/14	Project ID:	Type:
Chk'd: AP	Date: 4/21/15	Scale: 1" = 40'	Filename:
Appr: DK	Date: 4/21/15		
			Sheet: Rev. 9 of 16

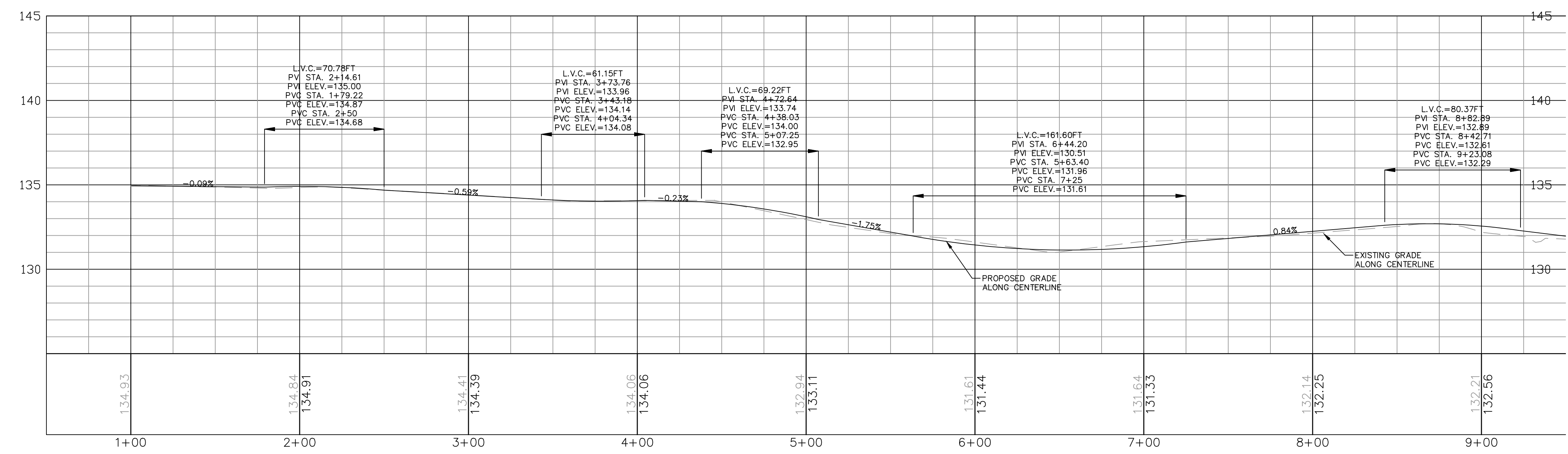


CONNECTICUT TEMPORARY ACCESS ROAD 6 - PLAN (1 OF 2)

TAR CT-6							
No.	Northing	Easting	Bearing	Delta(Δ)	Length	Tangent	Radius
C14	PC 15251617.08 PI 15251625.31 PT 15251638.32	PC 2269528.36 PI 2269488.34 PT 2269449.77		6°53'04"	82.43'	41.26'	686.0'
L16	B 15251638.32 E 15251649.10	B 2269449.77 E 2269418.74	N70°50'41.17"W		32.85'		
C15	PC 15251649.10 PI 15251658.77 PT 15251660.55	PC 2269418.74 PI 2269381.73 PT 2269343.52		11°57'53"	76.22'	38.25'	365.0'
L17	B 15251660.55 E 15251668.44	B 2269343.52 E 2269276.25	N83°18'39.30"W		67.74'		
C16	PC 15251668.44 PI 15251679.22 PT 15251694.87	PC 2269276.25 PI 2269199.36 PT 2269123.31		3°39'08"	155.23'	77.64'	2435.3'
L18	B 15251694.87 E 15251705.01	B 2269123.31 E 2269055.34	N81°30'57.52"W		68.73'		
C17	PC 15251705.01 PI 15251713.42 PT 15251725.02	PC 2269055.34 PI 2268998.94 PT 2268943.12		3°15'11"	114.00'	57.02'	2007.9'
L19	B 15251725.02 E 15251758.16	B 2268943.12 E 2268790.31	N77°45'49.66"W		156.36'		
C18	PC 15251758.16 PI 15251765.21 PT 15251810.04	PC 2268790.31 PI 2268744.88 PT 2268734.75		68°26'42"	80.73'	45.97'	67.6'
L20	B 15251810.04 E 15251835.27	B 2268734.75 E 2268727.54	N15°56'54.22"W		26.24'		

GENERAL NOTES

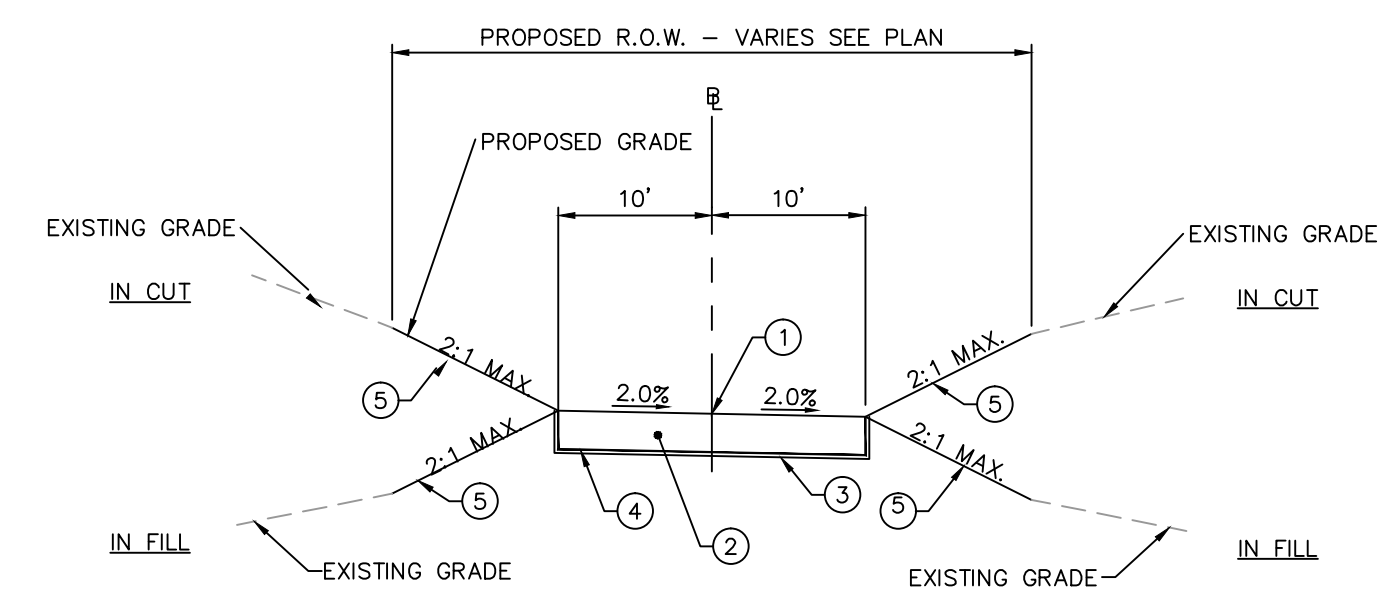
- CHECK DAMS SHALL BE INSTALLED WITHIN ALL SWALES IN ACCORDANCE WITH THE KINDER MORGAN BMP FIGURE NO. 22.
- REFER TO KINDER MORGAN CONSTRUCTION BEST MANAGEMENT PRACTICE MANUAL AND SHEETS TITLED "EROSION AND SEDIMENTATION NOTES," "GENERAL SEEDING NOTES," AND "RECYCLING AND DISPOSAL PLAN," FOR SPECIFIC INSTALLATION AND MAINTENANCE SPECIFICATIONS, AND EROSION CONTROLS.
- PROPOSED TRUCK PULL OFF ARE TEMPORARY AND SHALL BE REMOVED AFTER CONSTRUCTION. THE PULL OFF AREA SHALL BE REGRADED TO MATCH PRE CONSTRUCTION CONTOURS WHERE PRACTICAL. ALL PROPOSED PERMANENT SWALES AND ASSOCIATED CHECK DAMS SHALL BE REMOVED AND REINSTALLED ALONG THE PROPOSED EDGE OF ROAD.
- THE CONTRACTOR SHALL VERIFY ALL EXISTING CONDITIONS PRIOR TO CONSTRUCTION. THE CONTRACTOR SHALL IMMEDIATELY NOTIFY KINDER MORGAN, INC. AND/OR ITS ENGINEER OF ANY CONDITIONS THAT VARY FROM WHAT IS DEPICTED ON THIS PLAN.
- THE CONTRACTOR SHALL CONTACT CALL BEFORE YOU DIG CONNECTICUT (1-800-922-4455) A MINIMUM OF 72 HOURS PRIOR TO COMMENCEMENT OF CONSTRUCTION.
- ALL SLOPES THAT ARE EQUAL TO OR STEEPER THAN 1(V):3(H) SHALL BE SEEDED AND THEN COVERED WITH EROSION CONTROL MATTING PER KINDER MORGAN BMP NO. 41. THE MATTING SHALL BE INTERLOCKING TIMBER MATS OR APPROVED EQUAL AND INSTALLED IN ACCORDANCE WITH THE MANUFACTURERS SPECIFICATIONS. SEE DETAIL IN THE CONSTRUCTION BEST MANAGEMENT PRACTICES.
- ALL SLOPES THAT ARE STEEPER THAN 1(V):2(H) SHALL BE COVERED WITH RIPRAP SLOPE PROTECTION. SEE SLOPE PROTECTION DETAIL FOR INSTALLATION GUIDELINES IN THE CONSTRUCTION BEST MANAGEMENT PRACTICES.
- CONSTRUCTION ENTRANCES ARE TO BE CONSTRUCTED ON TEMPORARY ACCESS ROADS IF EXCESSIVE SEDIMENT IS CONVEYED ONTO THE MAIN TRAVEL WAY.



CONNECTICUT TEMPORARY ACCESS ROAD 6 - PROFILE (1 OF 2)

LEGEND

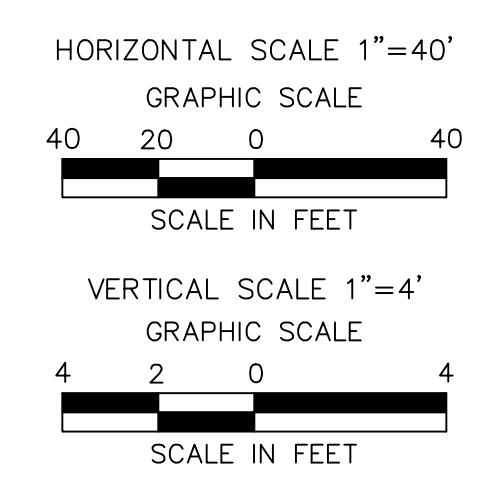
- PROPOSED PIPELINE
- EXISTING PIPELINE
- PROPERTY LINE
- STRUCTURE
- ELEC. CABLE
- FENCE
- TREE LINE
- FIBER OPTIC LINE
- POWER LINES
- TELEPHONE CABLE
- TELEPHONE LINE
- CABLE LINE
- SILT FENCE
- PROPOSED EDGE OF ROAD
- PROPOSED SILT FENCE



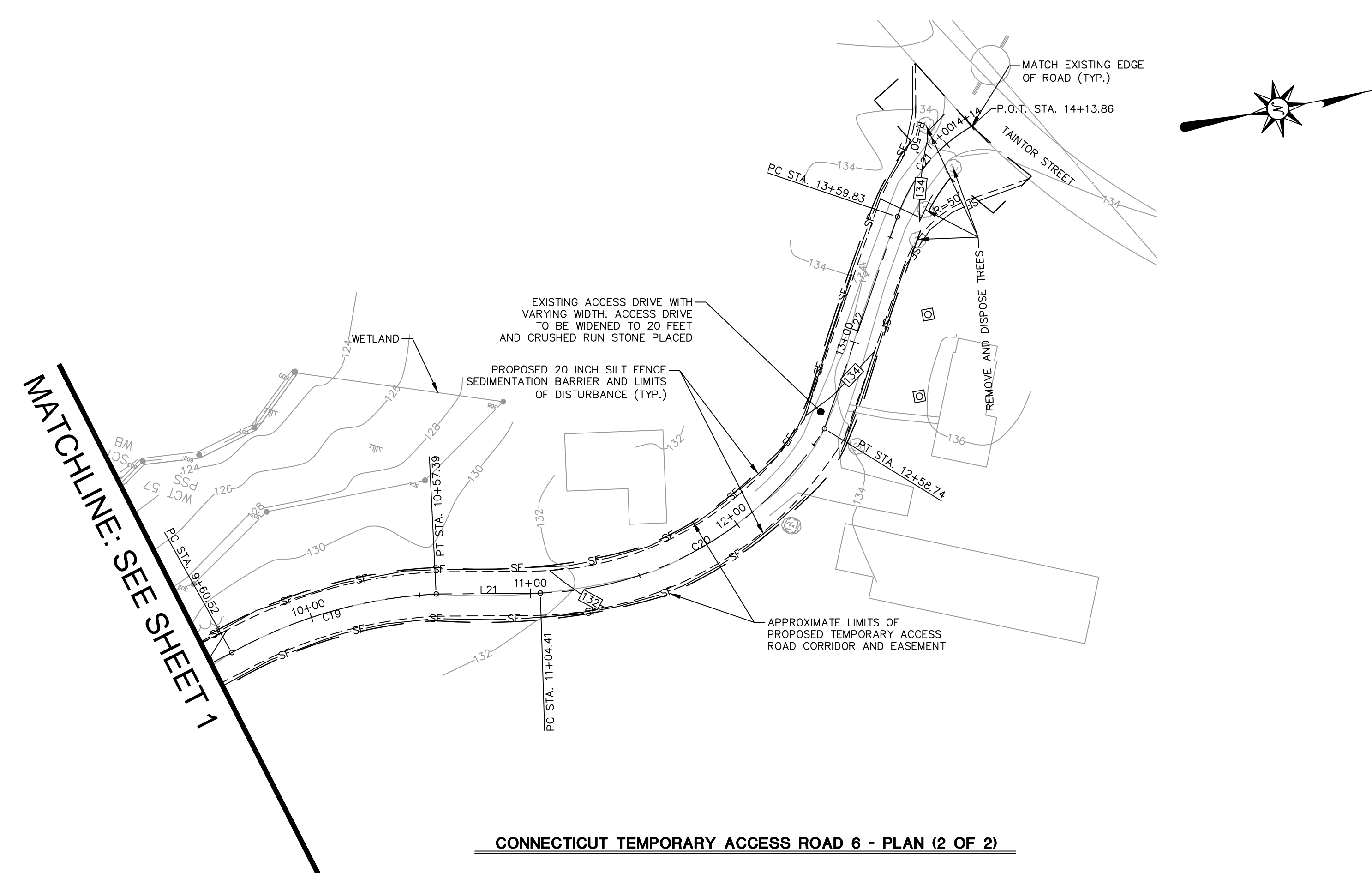
TYPICAL SECTION LEGEND

- CENTERLINE OF ACCESS ROAD
- 12" LAYER CRUSHER RUN STONE, GRADING "A" (M02.06, CONDOT 816)
- SEPARATION FILTER FABRIC (TENCATE GEOSYNTHETICS 170N OR APPROVED EQUAL)
- UNDISTURBED GROUND IN CUTS/SUBBASE IN FILLS
- EROSION CONTROL BLANKET, TOPSOIL AND SEED

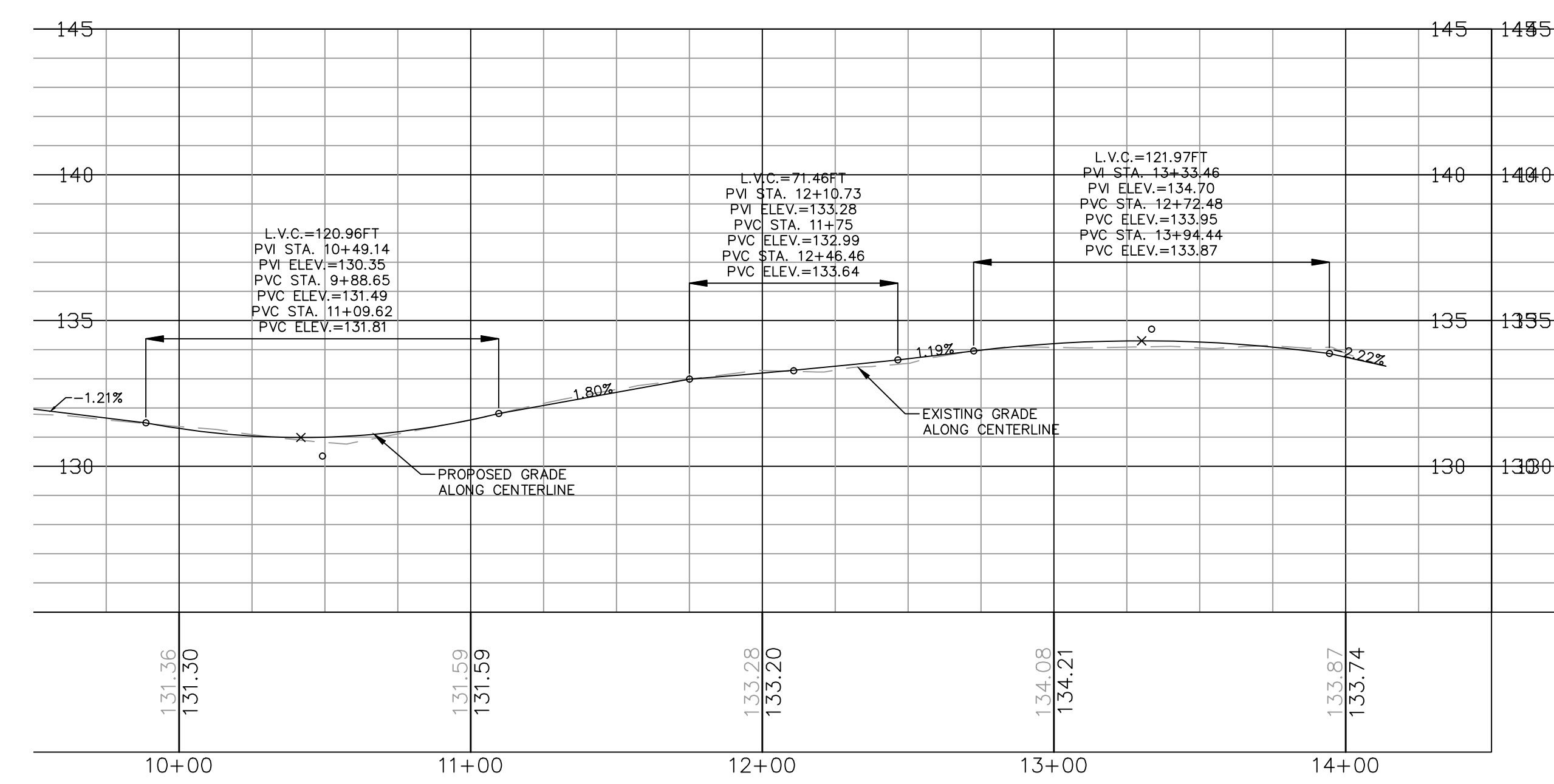
TYPICAL SECTION STA. 1+00 TO 14+13.86



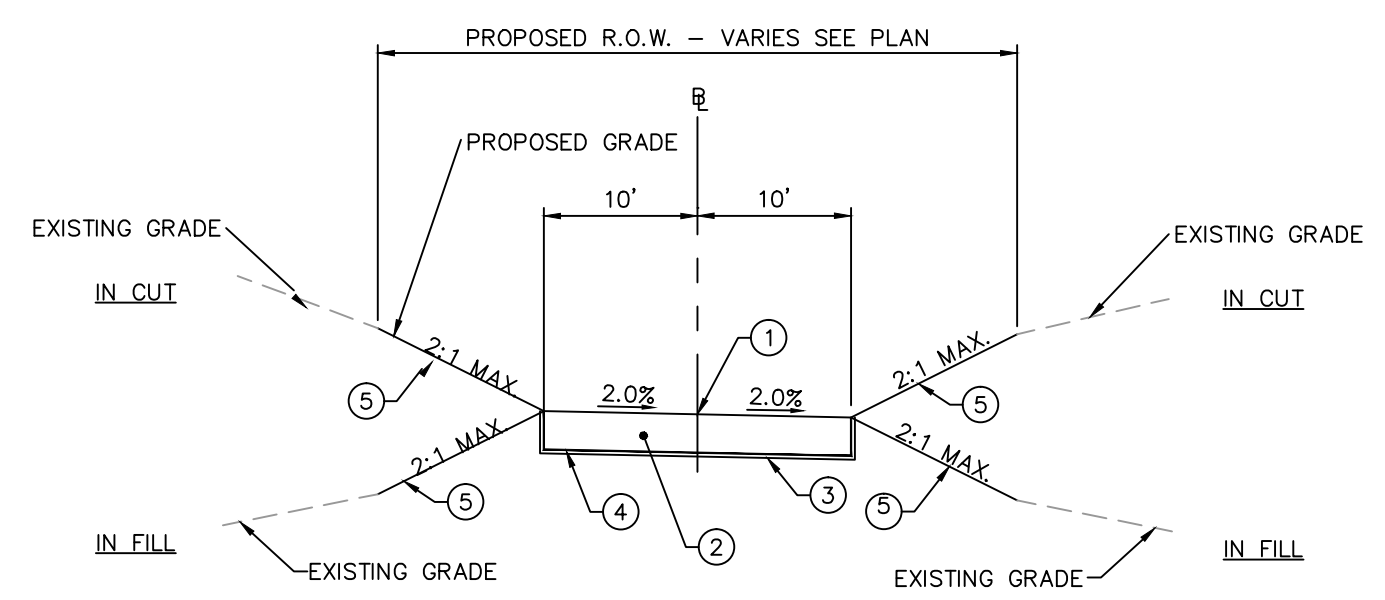
DRAWING NUMBER		DRAWING TITLE	
REFERENCE DRAWINGS			
NO.	DATE	BY	DESCRIPTION
REVISIONS			
		a Kinder Morgan company	
CONNECTICUT EXPANSION PROJECT			
CONNECTICUT LOOP 300-500			
PROPOSED NATURAL GAS PIPELINE			
TOWN OF SUFFIELD			
HARTFORD COUNTY, CONNECTICUT			
Division:	CT	Op. Area:	HARTFORD
State:	CT	Co./Par.:	HARTFORD
Section:	Township:	SUFFIELD	Range:
Drafter: JMS	Date: 07/08/14	Project ID:	Type:
Chk'd: AP	Date: 4/21/15	Scale: 1" = 40'	File name:
Appr: DK	Date: 4/21/15		
			Sheet: Rev. 10 of 16



CONNECTICUT TEMPORARY ACCESS ROAD 6 - PLAN (2 OF 2)



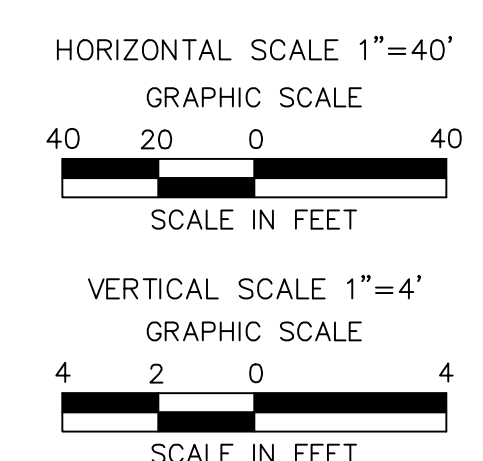
CONNECTICUT TEMPORARY ACCESS ROAD 6 - PROFILE (2 OF 2)



TYPICAL SECTION STA. 1+00 TO 14+13.86

TYPICAL SECTION LEGEND

- ① CENTERLINE OF ACCESS ROAD
- ② 12" LAYER CRUSHER RUN STONE, GRADING "A" (M02.06, CONNDOT 816)
- ③ SEPARATION FILTER FABRIC (TENCATE GEOSYNTHETICS 170N OR APPROVED EQUAL)
- ④ UNDISTURBED GROUND IN CUTS/SUBBASE IN FILLS
- ⑤ EROSION CONTROL BLANKET, TOPSOIL AND SEED



GENERAL NOTES

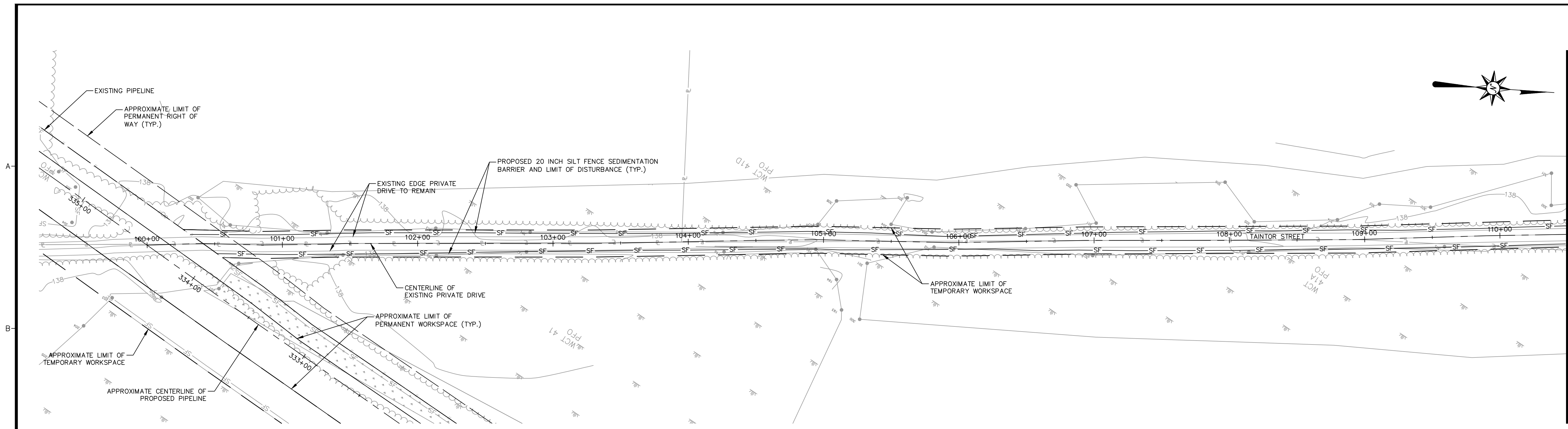
1. CHECK DAMS SHALL BE INSTALLED WITHIN ALL SWALES IN ACCORDANCE WITH THE KINDER MORGAN BMP FIGURE NO. 22.
2. REFER TO KINDER MORGAN CONSTRUCTION BEST MANAGEMENT PRACTICE MANUAL AND SHEETS TITLED "EROSION AND SEDIMENTATION NOTES," "GENERAL SEEDING NOTES," AND "RECYCLING AND DISPOSAL PLAN," FOR SPECIFIC INSTALLATION AND MAINTENANCE SPECIFICATIONS, AND EROSION CONTROLS.
3. PROPOSED TRUCK PULL OFF ARE TEMPORARY AND SHALL BE REMOVED AFTER CONSTRUCTION. THE PULL OFF AREA SHALL BE REGRADED TO MATCH PRE CONSTRUCTION CONTOURS WHERE PRACTICAL. ALL PROPOSED PERMANENT SWALES AND ASSOCIATED CHECK DAMS SHALL BE REMOVED AND REINSTALLED ALONG THE PROPOSED EDGE OF ROAD.
4. THE CONTRACTOR SHALL VERIFY ALL EXISTING CONDITIONS PRIOR TO CONSTRUCTION. THE CONTRACTOR SHALL IMMEDIATELY NOTIFY KINDER MORGAN, INC. AND/OR ITS ENGINEER OF ANY CONDITIONS THAT VARY FROM WHAT IS DEPICTED ON THIS PLAN.
5. THE CONTRACTOR SHALL CONTACT CALL BEFORE YOU DIG CONNECTICUT (1-800-922-4455) A MINIMUM OF 72 HOURS PRIOR TO COMMENCEMENT OF CONSTRUCTION.
6. ALL SLOPES THAT ARE EQUAL TO OR STEEPER THAN 1(V):3(H) SHALL BE SEEDED AND THEN COVERED WITH EROSION CONTROL MATTING PER KINDER MORGAN BMP NO. 41. THE MATTING SHALL BE INTERLOCKING TIMBER MATS OR APPROVED EQUAL AND INSTALLED IN ACCORDANCE WITH THE MANUFACTURERS SPECIFICATIONS. SEE DETAIL IN THE CONSTRUCTION BEST MANAGEMENT PRACTICES.
7. ALL SLOPES THAT ARE STEEPER THAN 1(V):2(H) SHALL BE COVERED WITH RIPRAP SLOPE PROTECTION. SEE SLOPE PROTECTION DETAIL FOR INSTALLATION GUIDELINES IN THE CONSTRUCTION BEST MANAGEMENT PRACTICES.
8. CONSTRUCTION ENTRANCES ARE TO BE CONSTRUCTED ON TEMPORARY ACCESS ROADS IF EXCESSIVE SEDIMENT IS CONVEYED ONTO THE MAIN TRAVEL WAY.

TAR CT-6							
No.	Northing	Easting	Bearing	Delta(Δ)	Length	Tangent	Radius
C19	PC 15251835.27	PC 2268727.54		26°23'40"	96.87'	49.31'	210.3'
	PI 15251892.11	PI 2268721.14					
	PT 15251930.92	PT 2268719.17					
L21	B 15251930.92	B 2268719.17	N10°31'41.94"E	47.01'			
	E 15251977.14	E 2268727.76					
C20	PC 15251977.14	PC 2268727.76		56°32'34"	154.33'	84.11'	156.4'
	PI 15252080.16	PI 2268741.21					
	PT 15252117.16	PT 2268679.36					
L22	B 15252117.16	B 2268679.36	N59°59'47.04"W	101.09'			
	E 15252167.71	E 2268591.82					
C21	PC 15252167.71	PC 2268591.82		41°22'13"	54.03'	28.25'	74.8'
	PI 15252181.71	PI 2268567.29					
	PT 15252208.44	PT 2268558.13					

LEGEND

- PROPOSED PIPELINE
- EXISTING PIPELINE
- PROPERTY LINE
- STRUCTURE
- ELEC CABLE
- FENCE
- TREE LINE
- FIBER OPTIC LINE
- POWER LINES
- TELEPHONE CABLE
- TELEPHONE LINE
- CABLE LINE
- SILT FENCE
- PROPOSED EDGE OF ROAD
- PROPOSED SILT FENCE

DRAWING NUMBER		DRAWING TITLE	
REFERENCE DRAWINGS			
NO.	DATE	BY	DESCRIPTION
REVISIONS			
		a Kinder Morgan company	
CONNECTICUT EXPANSION PROJECT CONNECTICUT LOOP 300-500 PROPOSED NATURAL GAS PIPELINE TOWN OF SUFFIELD HARTFORD COUNTY, CONNECTICUT			
Division:	CT	Op. Area:	HARTFORD
State:		Co./Par.:	
Section:		Township:	SUFFIELD
Drifter: JMS	Date: 07/08/14	Project ID:	
Chk'd: AP	Date: 4/21/15	Scale:	1" = 40'
Appr: DK	Date: 4/21/15	Filename:	
			Sheet: Rev. 11 of 16



CONNECTICUT TEMPORARY ACCESS ROAD 7 - PLAN (1 OF 2)

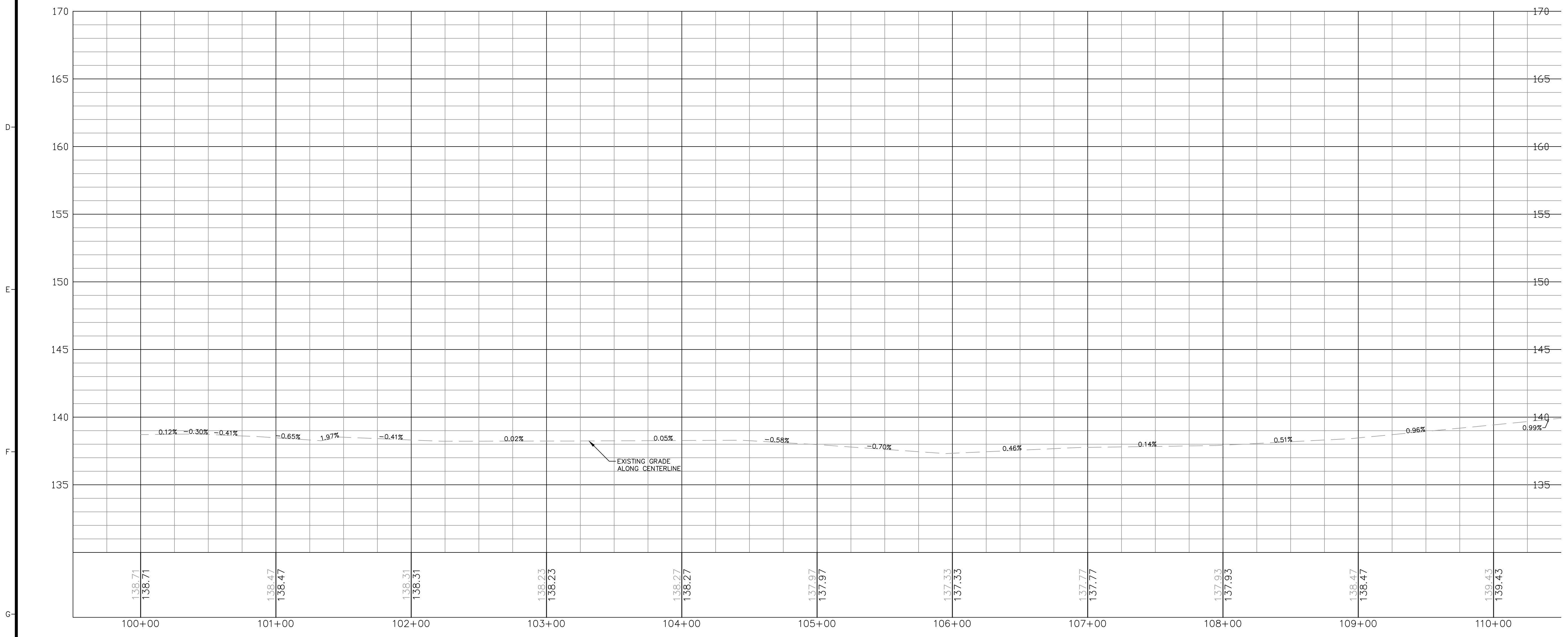
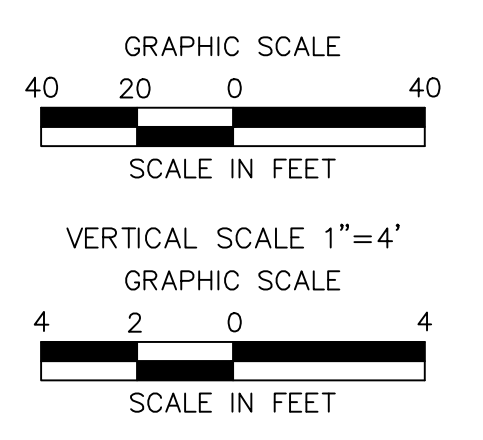
MATCHLINE: SEE SHEET 2

**GENERAL NOTES**

- CHECK DAMS SHALL BE INSTALLED WITHIN ALL SWALES IN ACCORDANCE WITH THE KINDER MORGAN BMP FIGURE NO. 22.
- REFER TO KINDER MORGAN CONSTRUCTION BEST MANAGEMENT PRACTICE MANUAL AND SHEETS TITLED "EROSION AND SEDIMENTATION NOTES," "GENERAL SEEDING NOTES," AND "RECYCLING AND DISPOSAL PLAN," FOR SPECIFIC INSTALLATION AND MAINTENANCE SPECIFICATIONS, AND EROSION CONTROLS.
- PROPOSED TRUCK PULL OFF ARE TEMPORARY AND SHALL BE REMOVED AFTER CONSTRUCTION. THE PULL OFF AREA SHALL BE REGRADED TO MATCH PRE CONSTRUCTION CONTOURS WHERE PRACTICAL. ALL PROPOSED PERMANENT SWALES AND ASSOCIATED CHECK DAMS SHALL BE REMOVED AND REINSTALLED ALONG THE PROPOSED EDGE OF ROAD.
- THE CONTRACTOR SHALL VERIFY ALL EXISTING CONDITIONS PRIOR TO CONSTRUCTION. THE CONTRACTOR SHALL IMMEDIATELY NOTIFY KINDER MORGAN, INC. AND/OR ITS ENGINEER OF ANY CONDITIONS THAT VARY FROM WHAT IS DEPICTED ON THIS PLAN.
- THE CONTRACTOR SHALL CONTACT CALL BEFORE YOU DIG CONNECTICUT (1-800-922-4455) A MINIMUM OF 72 HOURS PRIOR TO COMMENCEMENT OF CONSTRUCTION.
- ALL SLOPES THAT ARE EQUAL TO OR STEEPER THAN 1(V):3(H) SHALL BE SEEDED AND THEN COVERED WITH EROSION CONTROL MATTING PER KINDER MORGAN BMP NO. 41. THE MATTING SHALL BE INTERLOCKING TIMBER MATS OR APPROVED EQUAL AND INSTALLED IN ACCORDANCE WITH THE MANUFACTURERS SPECIFICATIONS. SEE DETAIL IN THE CONSTRUCTION BEST MANAGEMENT PRACTICES.
- ALL SLOPES THAT ARE STEEPER THAN 1(V):2(H) SHALL BE COVERED WITH RIPRAP SLOPE PROTECTION. SEE SLOPE PROTECTION DETAIL FOR INSTALLATION GUIDELINES IN THE CONSTRUCTION BEST MANAGEMENT PRACTICES.
- CONSTRUCTION ENTRANCES ARE TO BE CONSTRUCTED ON TEMPORARY ACCESS ROADS IF EXCESSIVE SEDIMENT IS CONVEYED ONTO THE MAIN TRAVEL WAY.

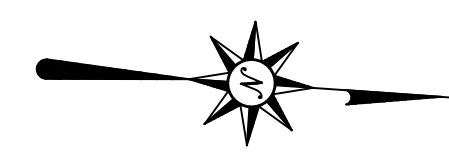
**LEGEND**

- PROPOSED PIPELINE
- EXISTING PIPELINE
- PROPERTY LINE
- STRUCTURE
- ELEC. CABLE
- FENCE
- TREE LINE
- FIBER OPTIC LINE
- POWER LINES
- TELEPHONE CABLE
- TELEPHONE LINE
- CABLE LINE
- SILT FENCE
- PROPOSED EDGE OF ROAD
- PROPOSED SILT FENCE



CONNECTICUT TEMPORARY ACCESS ROAD 7 - PROFILE (1 OF 2)

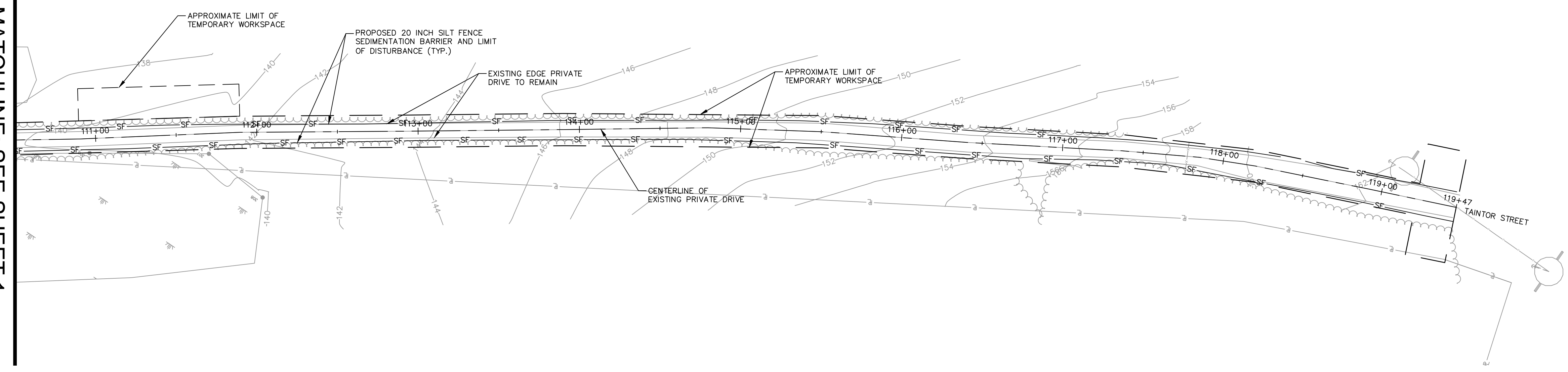
DRAWING NUMBER		DRAWING TITLE	
REFERENCE DRAWINGS			
NO.	DATE	BY	DESCRIPTION
REVISIONS			
		<b>Tennessee Gas Pipeline Company, L.L.C.</b> a Kinder Morgan company	
CONNECTICUT EXPANSION PROJECT			
CONNECTICUT LOOP 300-500			
PROPOSED NATURAL GAS PIPELINE			
TOWN OF EAST GRANBY			
HARTFORD COUNTY, CONNECTICUT			
Division:	CT	Op. Area:	HARTFORD
State:		Co./Par.:	
Section:		Township/EAST GRANBY	Range:
Drafter: JMS	Date: 07/08/14	Project ID:	Type:
Chk'd: AP	Date: 4/21/15	Scale: 1" = 40'	Filename:
Appr: DK	Date: 4/21/15		
			Sheet: Rev. 12 of 16



**GENERAL NOTES**

- CHECK DAMS SHALL BE INSTALLED WITHIN ALL SWALES IN ACCORDANCE WITH THE KINDER MORGAN BMP FIGURE NO. 22.
- REFER TO KINDER MORGAN CONSTRUCTION BEST MANAGEMENT PRACTICE MANUAL AND SHEETS TITLED "EROSION AND SEDIMENTATION NOTES," "GENERAL SEEDING NOTES," AND "RECYCLING AND DISPOSAL PLAN," FOR SPECIFIC INSTALLATION AND MAINTENANCE SPECIFICATIONS, AND EROSION CONTROLS.
- PROPOSED TRUCK PULL OFF ARE TEMPORARY AND SHALL BE REMOVED AFTER CONSTRUCTION. THE PULL OFF AREA SHALL BE REGRADED TO MATCH PRE CONSTRUCTION CONTOURS WHERE PRACTICAL. ALL PROPOSED PERMANENT SWALES AND ASSOCIATED CHECK DAMS SHALL BE REMOVED AND REINSTALLED ALONG THE PROPOSED EDGE OF ROAD.
- THE CONTRACTOR SHALL VERIFY ALL EXISTING CONDITIONS PRIOR TO CONSTRUCTION. THE CONTRACTOR SHALL IMMEDIATELY NOTIFY KINDER MORGAN, INC. AND/OR ITS ENGINEER OF ANY CONDITIONS THAT VARY FROM WHAT IS DEPICTED ON THIS PLAN.
- THE CONTRACTOR SHALL CONTACT CALL BEFORE YOU DIG CONNECTICUT (1-800-922-4455) A MINIMUM OF 72 HOURS PRIOR TO COMMENCEMENT OF CONSTRUCTION.
- ALL SLOPES THAT ARE EQUAL TO OR STEEPER THAN 1(V):3(H) SHALL BE SEEDED AND THEN COVERED WITH EROSION CONTROL MATTING PER KINDER MORGAN BMP NO. 41. THE MATTING SHALL BE INTERLOCKING TIMBER MATS OR APPROVED EQUAL AND INSTALLED IN ACCORDANCE WITH THE MANUFACTURERS SPECIFICATIONS. SEE DETAIL IN THE CONSTRUCTION BEST MANAGEMENT PRACTICES.
- ALL SLOPES THAT ARE STEEPER THAN 1(V):2(H) SHALL BE COVERED WITH RIPRAP SLOPE PROTECTION. SEE SLOPE PROTECTION DETAIL FOR INSTALLATION GUIDELINES IN THE CONSTRUCTION BEST MANAGEMENT PRACTICES.
- CONSTRUCTION ENTRANCES ARE TO BE CONSTRUCTED ON TEMPORARY ACCESS ROADS IF EXCESSIVE SEDIMENT IS CONVEYED ONTO THE MAIN TRAVEL WAY.

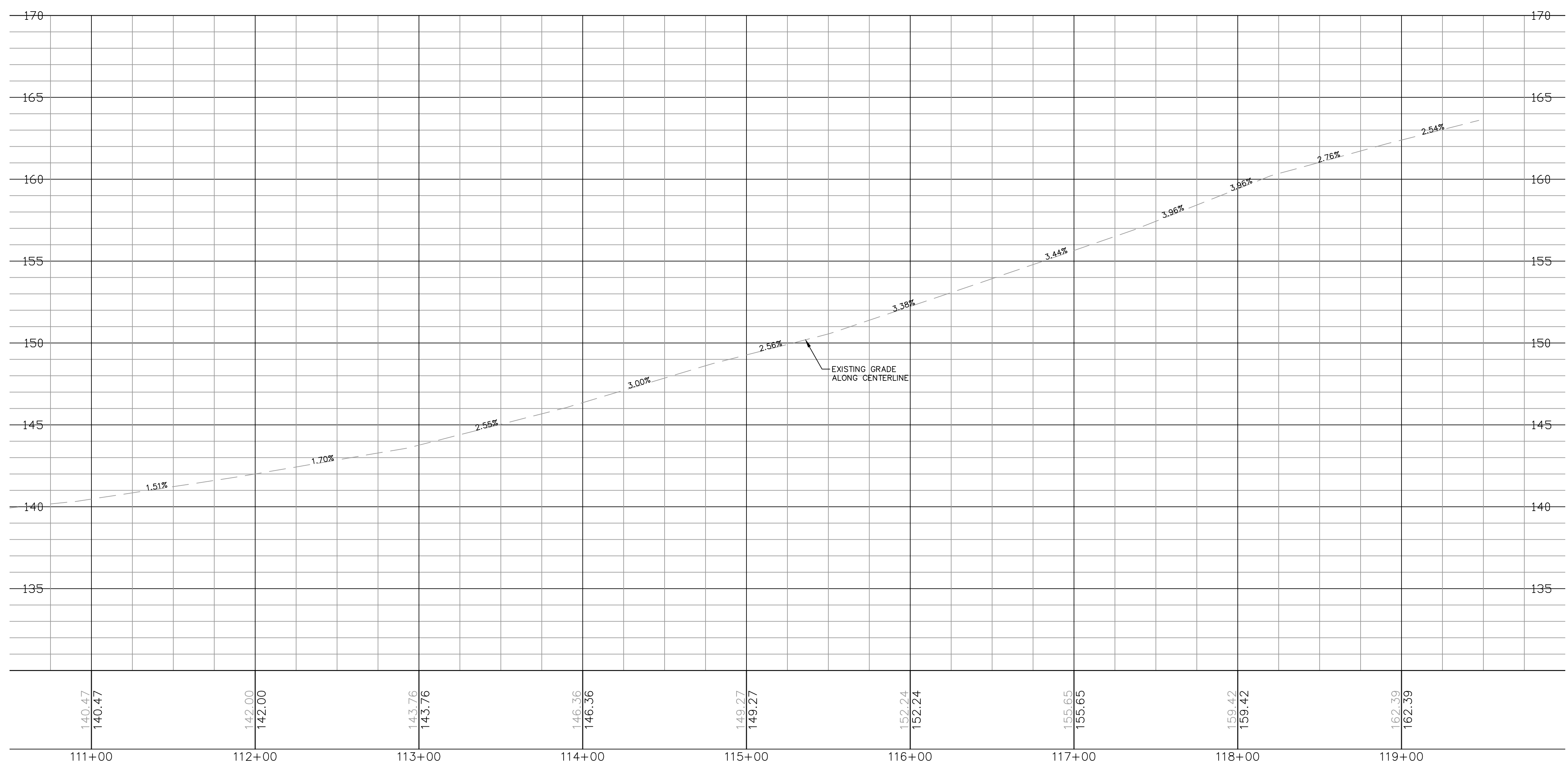
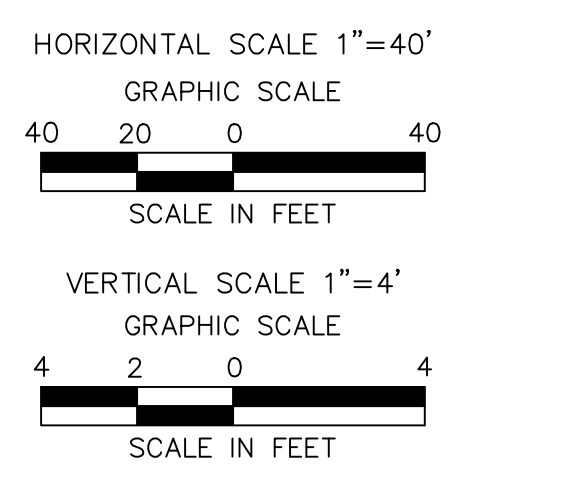
MATCHLINE - SEE SHEET 1



**CONNECTICUT TEMPORARY ACCESS ROAD 7 - PLAN (2 OF 2)**

**LEGEND**

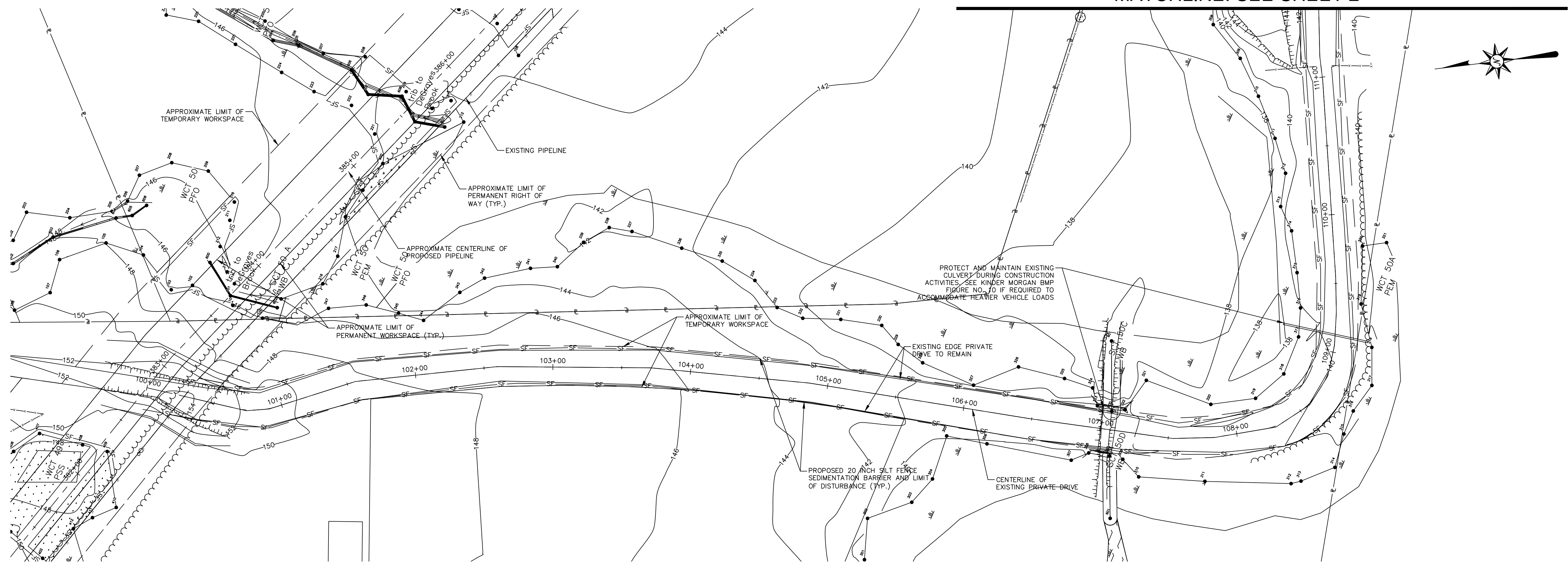
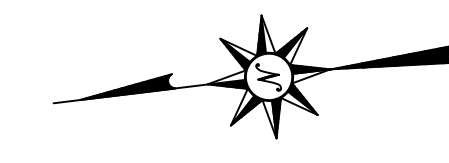
- PROPOSED PIPELINE
- EXISTING PIPELINE
- PROPERTY LINE
- STRUCTURE
- ELEC CABLE
- FENCE
- TREE LINE
- FIBER OPTIC LINE
- POWER LINES
- TELEPHONE CABLE
- TELEPHONE LINE
- CABLE LINE
- SILT FENCE
- PROPOSED EDGE OF ROAD
- PROPOSED SILT FENCE



**CONNECTICUT TEMPORARY ACCESS ROAD 7 - PROFILE (2 OF 2)**

DRAWING NUMBER		DRAWING TITLE	
REFERENCE DRAWINGS			
NO.	DATE	BY	DESCRIPTION
REVISIONS			
		a Kinder Morgan company	
CONNECTICUT EXPANSION PROJECT CONNECTICUT LOOP 300-500 PROPOSED NATURAL GAS PIPELINE TOWN OF EAST GRANBY HARTFORD COUNTY, CONNECTICUT			
Division:	CT	Op. Area:	HARTFORD
State:		Co./Par.:	
Section:	Township/EAST GRANBY	Range:	
Drafter: JMS	Date: 07/08/14	Project ID:	Type:
Chk'd: AP	Date: 4/21/15	Scale: 1" = 40'	Filename:
Appr: DK	Date: 4/21/15		
			Sheet: Rev. 13 of 16

MATCHLINE: SEE SHEET 2



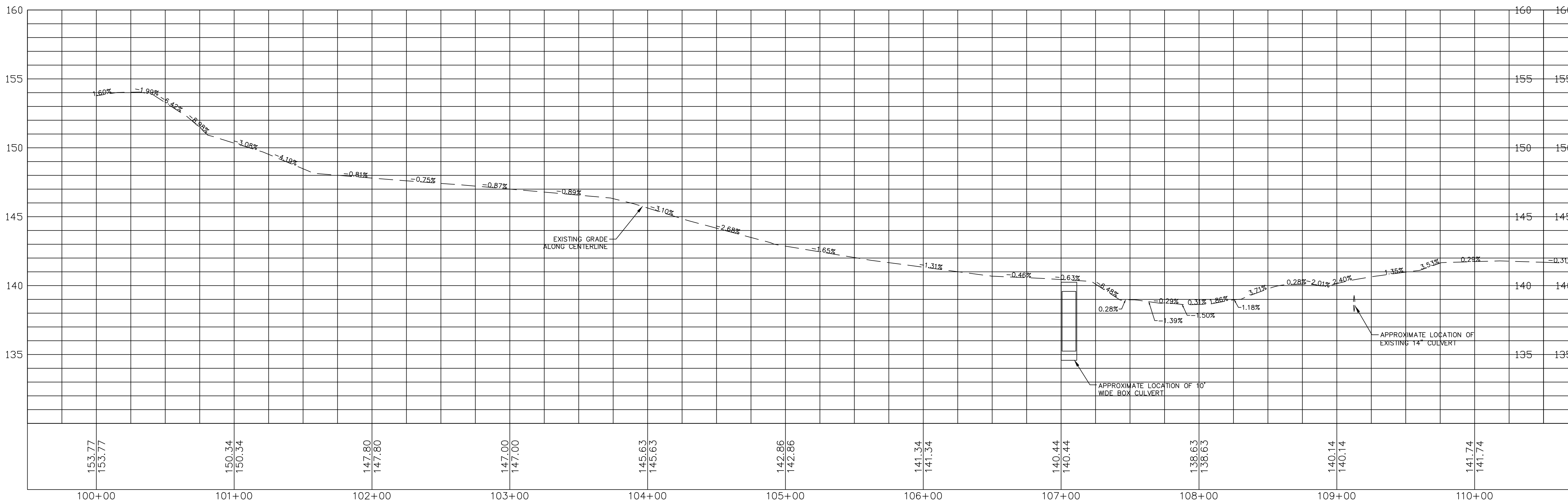
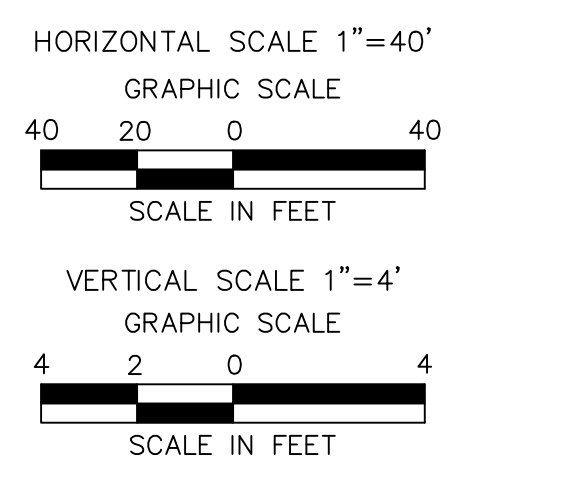
CONNECTICUT TEMPORARY ACCESS ROAD 7A - PLAN (1 OF 2)

GENERAL NOTES

- CHECK DAMS SHALL BE INSTALLED WITHIN ALL SWALES IN ACCORDANCE WITH THE KINDER MORGAN BMP FIGURE NO. 22.
- REFER TO KINDER MORGAN CONSTRUCTION BEST MANAGEMENT PRACTICE MANUAL AND SHEETS TITLED "EROSION AND SEDIMENTATION NOTES," "GENERAL SEEDING NOTES," AND "RECYCLING AND DISPOSAL PLAN," FOR SPECIFIC INSTALLATION AND MAINTENANCE SPECIFICATIONS, AND EROSION CONTROLS.
- PROPOSED TRUCK PULL OFF ARE TEMPORARY AND SHALL BE REMOVED AFTER CONSTRUCTION. THE PULL OFF AREA SHALL BE REGRADED TO MATCH PRE CONSTRUCTION CONTOURS WHERE PRACTICAL. ALL PROPOSED PERMANENT SWALES AND ASSOCIATED CHECK DAMS SHALL BE REMOVED AND REINSTALLED ALONG THE PROPOSED EDGE OF ROAD.
- THE CONTRACTOR SHALL VERIFY ALL EXISTING CONDITIONS PRIOR TO CONSTRUCTION. THE CONTRACTOR SHALL IMMEDIATELY NOTIFY KINDER MORGAN, INC. AND/OR ITS ENGINEER OF ANY CONDITIONS THAT VARY FROM WHAT IS DEPICTED ON THIS PLAN.
- THE CONTRACTOR SHALL CONTACT CALL BEFORE YOU DIG CONNECTICUT (1-800-922-4455) A MINIMUM OF 72 HOURS PRIOR TO COMMENCEMENT OF CONSTRUCTION.
- ALL SLOPES THAT ARE EQUAL TO OR STEEPER THAN 1(V):3(H) SHALL BE SEEDED AND THEN COVERED WITH EROSION CONTROL MATTING PER KINDER MORGAN BMP NO. 41. THE MATTING SHALL BE INTERLOCKING TIMBER MATS OR APPROVED EQUAL AND INSTALLED IN ACCORDANCE WITH THE MANUFACTURER'S SPECIFICATIONS. SEE DETAIL IN THE CONSTRUCTION BEST MANAGEMENT PRACTICES.
- ALL SLOPES THAT ARE STEEPER THAN 1(V):2(H) SHALL BE COVERED WITH RIPRAP SLOPE PROTECTION. SEE SLOPE PROTECTION DETAIL FOR INSTALLATION GUIDELINES IN THE CONSTRUCTION BEST MANAGEMENT PRACTICES.
- CONSTRUCTION ENTRANCES ARE TO BE CONSTRUCTED ON TEMPORARY ACCESS ROADS IF EXCESSIVE SEDIMENT IS CONVEYED ONTO THE MAIN TRAVEL WAY.

LEGEND

- PROPOSED PIPELINE
- EXISTING PIPELINE
- PROPERTY LINE
- STRUCTURE
- ELEC CABLE
- FENCE
- TREE LINE
- FIBER OPTIC LINE
- POWER LINES
- TELEPHONE CABLE
- TELEPHONE LINE
- CABLE LINE
- SILT FENCE
- PROPOSED EDGE OF ROAD
- PROPOSED SILT FENCE

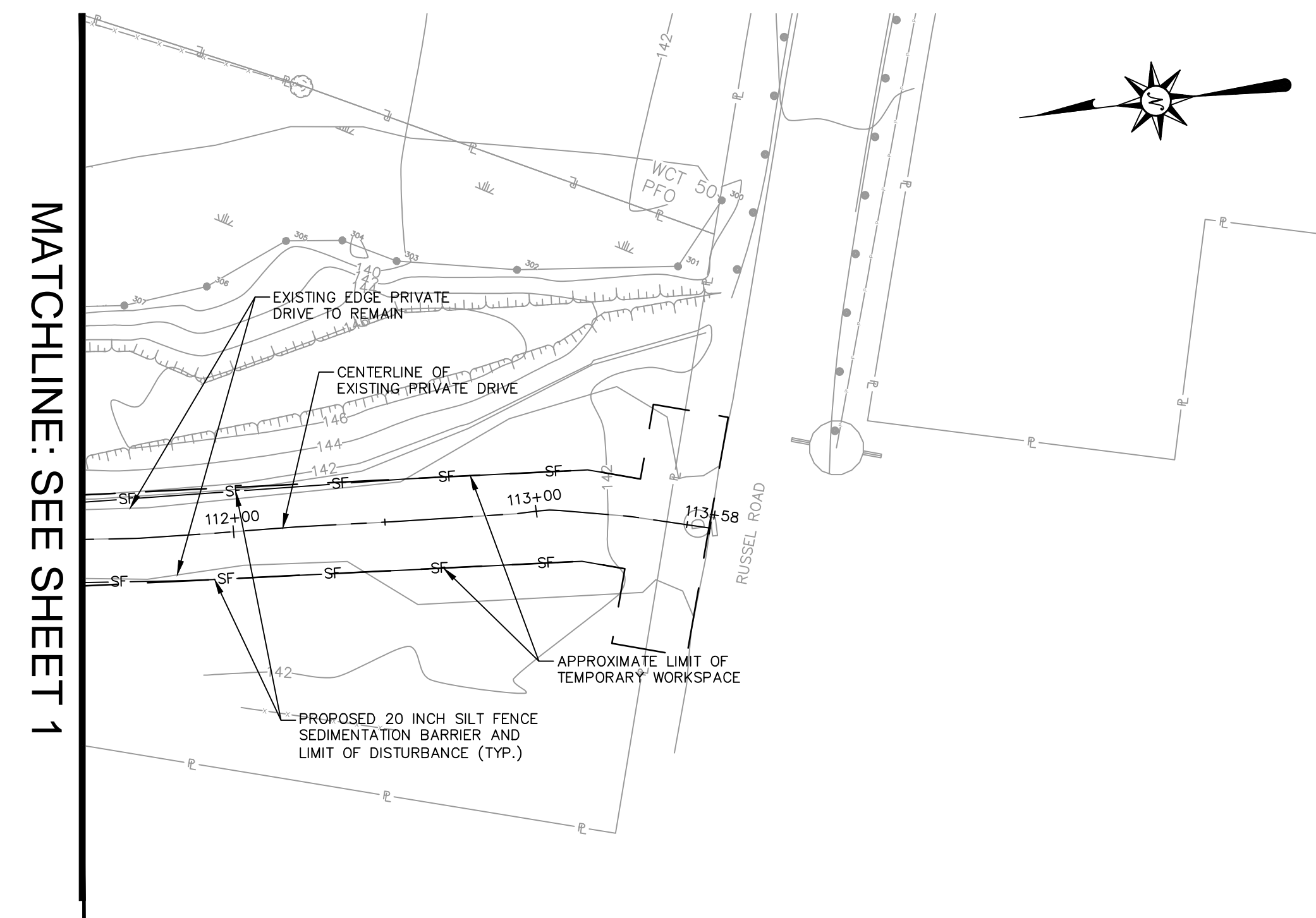


CONNECTICUT TEMPORARY ACCESS ROAD 7A - PROFILE (1 OF 2)

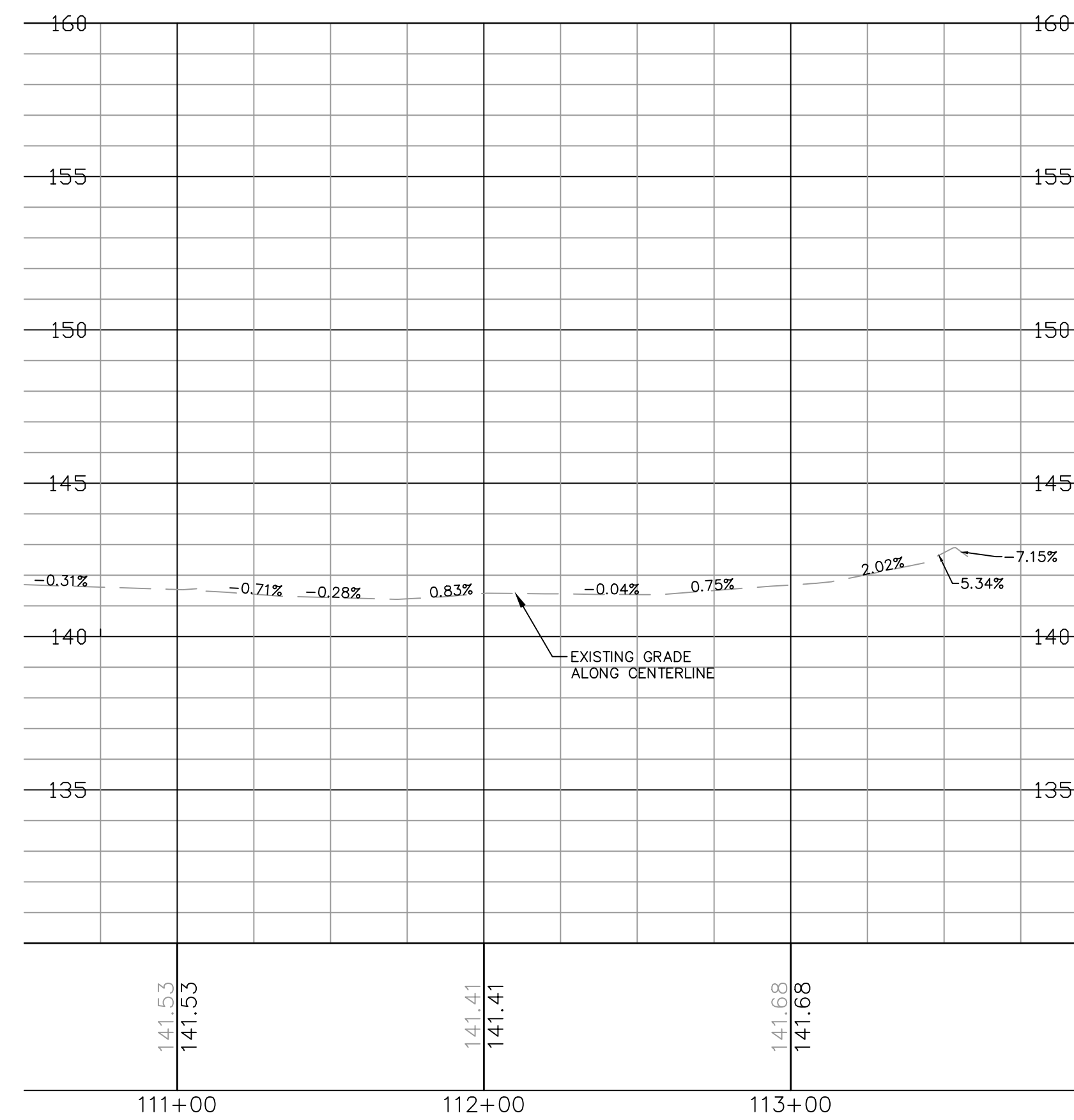
DRAWING NUMBER		DRAWING TITLE	
REFERENCE DRAWINGS			
NO.	DATE	BY	DESCRIPTION
REVISIONS			
PROJECT ID		APPR.	
 <b>Tennessee Gas Pipeline Company, L.L.C.</b> a Kinder Morgan company			
<b>CONNECTICUT EXPANSION PROJECT</b> <b>CONNECTICUT LOOP 300-500</b> <b>PROPOSED NATURAL GAS PIPELINE</b> <b>TOWN OF EAST GRANBY</b> <b>HARTFORD COUNTY, CONNECTICUT</b>			
Division:	CT	Op. Area:	HARTFORD
State:	CT	Co./Par.:	HARTFORD
Section:	Township EAST GRANBY	Range:	
Drafter: JMS	Date: 07/08/14	Project ID:	Type:
Chk'd: AP	Date: 4/21/15	Scale: 1" = 40'	Filename:
Appr: DK	Date: 4/21/15		
Sheet:	14 of 16	Rev:	

### GENERAL NOTES

- CHECK DAMS SHALL BE INSTALLED WITHIN ALL SWALES IN ACCORDANCE WITH THE KINDER MORGAN BMP FIGURE NO. 22.
- REFER TO KINDER MORGAN CONSTRUCTION BEST MANAGEMENT PRACTICE MANUAL AND SHEETS TITLED "EROSION AND SEDIMENTATION NOTES," "GENERAL SEEDING NOTES," AND "RECYCLING AND DISPOSAL PLAN," FOR SPECIFIC INSTALLATION AND MAINTENANCE SPECIFICATIONS, AND EROSION CONTROLS.
- PROPOSED TRUCK PULL OFF ARE TEMPORARY AND SHALL BE REMOVED AFTER CONSTRUCTION. THE PULL OFF AREA SHALL BE REGRADED TO MATCH PRE CONSTRUCTION CONTOURS WHERE PRACTICAL. ALL PROPOSED PERMANENT SWALES AND ASSOCIATED CHECK DAMS SHALL BE REMOVED AND REINSTALLED ALONG THE PROPOSED EDGE OF ROAD.
- THE CONTRACTOR SHALL VERIFY ALL EXISTING CONDITIONS PRIOR TO CONSTRUCTION. THE CONTRACTOR SHALL IMMEDIATELY NOTIFY KINDER MORGAN, INC. AND/OR ITS ENGINEER OF ANY CONDITIONS THAT VARY FROM WHAT IS DEPICTED ON THIS PLAN.
- THE CONTRACTOR SHALL CONTACT CALL BEFORE YOU DIG CONNECTICUT (1-800-922-4455) A MINIMUM OF 72 HOURS PRIOR TO COMMENCEMENT OF CONSTRUCTION.
- ALL SLOPES THAT ARE EQUAL TO OR STEEPER THAN 1(V):3(H) SHALL BE SEEDED AND THEN COVERED WITH EROSION CONTROL MATTING PER KINDER MORGAN BMP NO. 41. THE MATTING SHALL BE INTERLOCKING TIMBER MATS OR APPROVED EQUAL AND INSTALLED IN ACCORDANCE WITH THE MANUFACTURERS SPECIFICATIONS. SEE DETAIL IN THE CONSTRUCTION BEST MANAGEMENT PRACTICES.
- ALL SLOPES THAT ARE STEEPER THAN 1(V):2(H) SHALL BE COVERED WITH RIPRAP SLOPE PROTECTION. SEE SLOPE PROTECTION DETAIL FOR INSTALLATION GUIDELINES IN THE CONSTRUCTION BEST MANAGEMENT PRACTICES.
- CONSTRUCTION ENTRANCES ARE TO BE CONSTRUCTED ON TEMPORARY ACCESS ROADS IF EXCESSIVE SEDIMENT IS CONVEYED ONTO THE MAIN TRAVEL WAY.



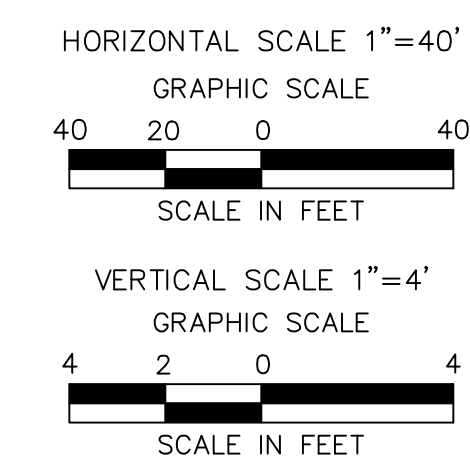
CONNECTICUT TEMPORARY ACCESS ROAD 7a - PLAN (2 OF 2)



CONNECTICUT TEMPORARY ACCESS ROAD 7a - PROFILE (2 OF 2)

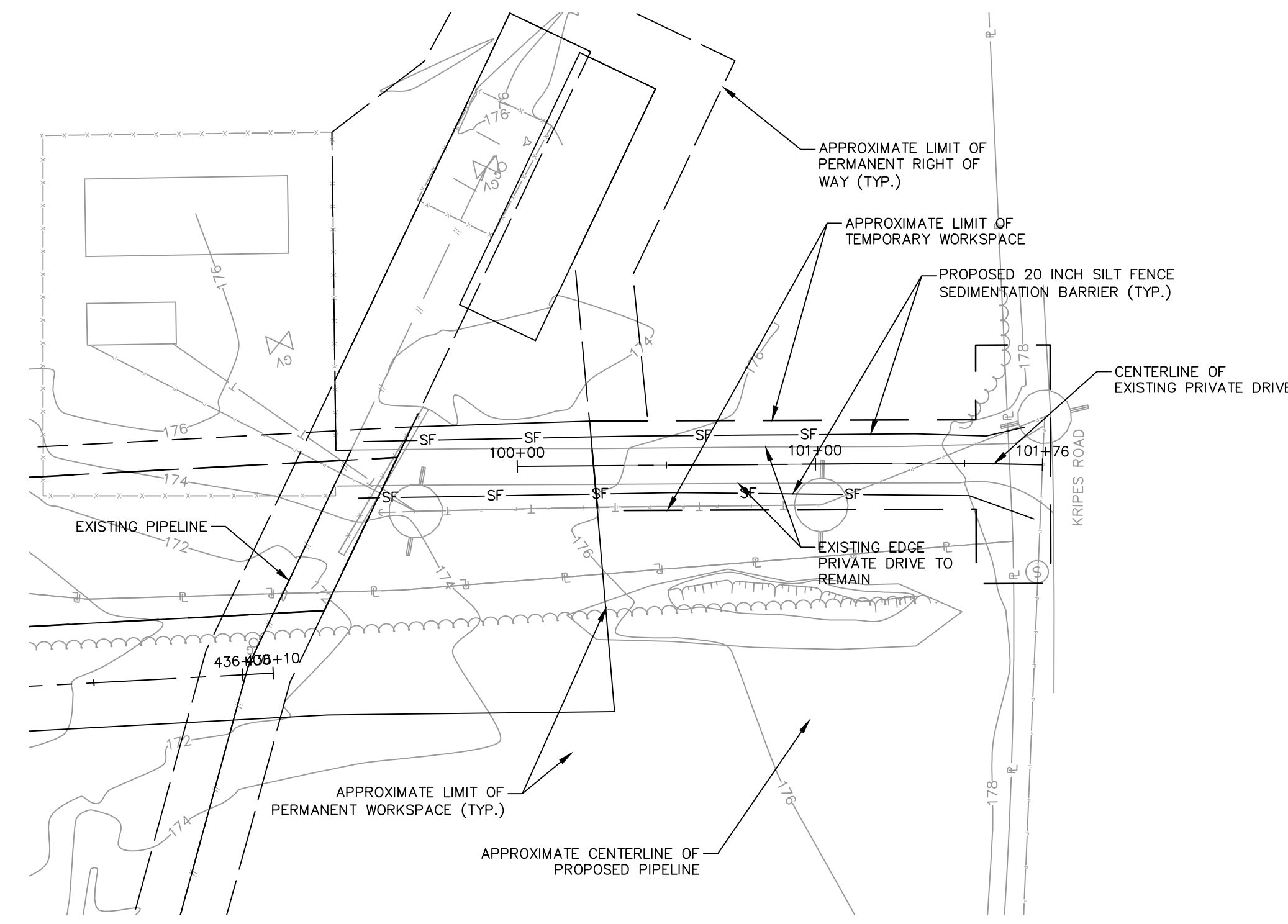
### LEGEND

PROPOSED PIPELINE	---
EXISTING PIPELINE	- - -
PROPERTY LINE	---
STRUCTURE	---
ELEC CABLE	EC --- EC
FENCE	-X-X-X-X-X-
TREE LINE	~~~~~
FIBER OPTIC LINE	---C---C---C---
POWER LINES	---P---P---P---
TELEPHONE CABLE	---TC---TC---TC---
TELEPHONE LINE	---T---T---T---
CABLE LINE	---C---C---C---
SILT FENCE	SF --- SF
PROPOSED EDGE OF ROAD	---
PROPOSED SILT FENCE	SF --- SF

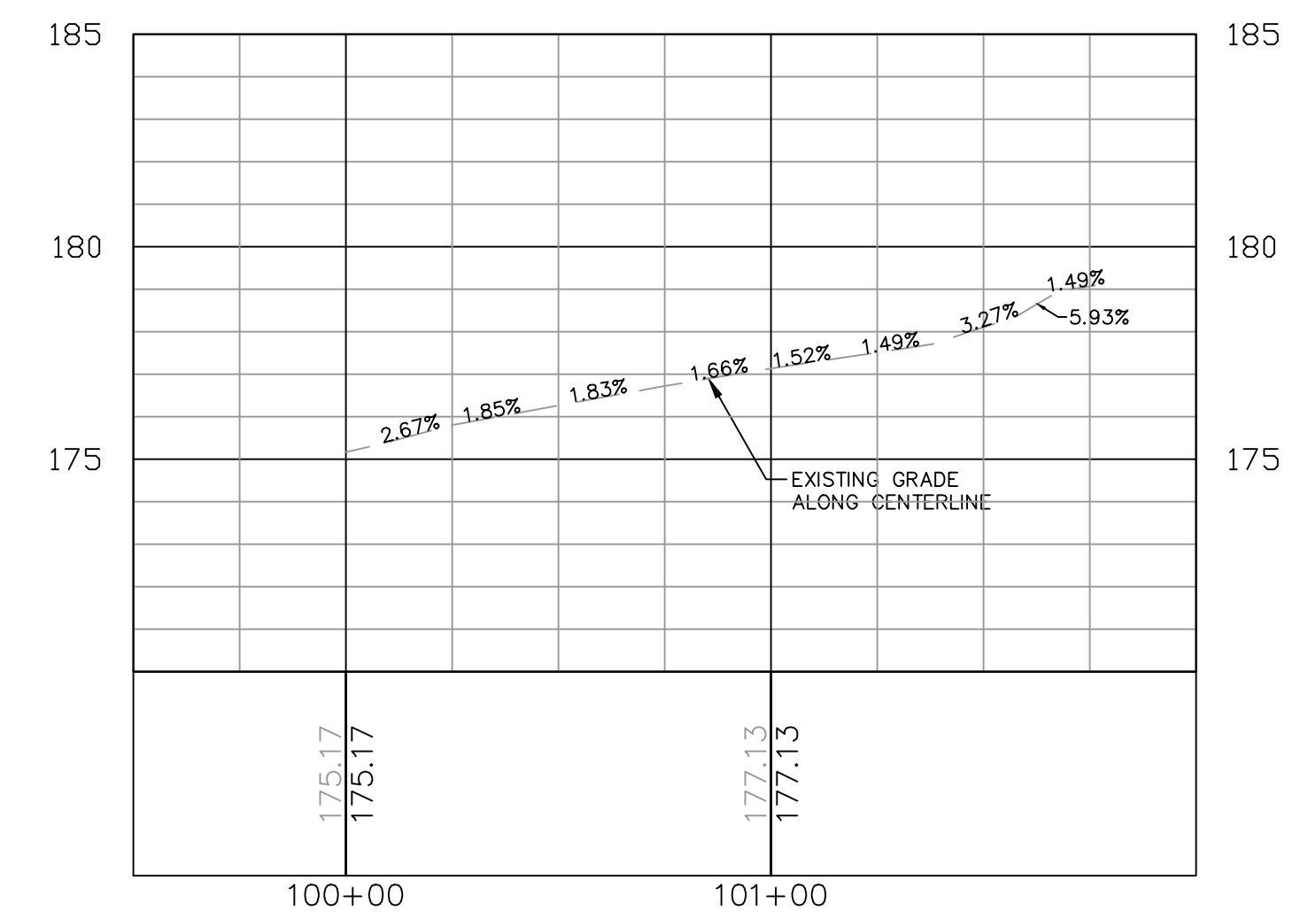


DRAWING NUMBER		DRAWING TITLE	
REFERENCE DRAWINGS			
NO.	DATE	BY	DESCRIPTION
REVISIONS			
 Tennessee Gas Pipeline Company, L.L.C. a Kinder Morgan company		CONNECTICUT EXPANSION PROJECT CONNECTICUT LOOP 300-500 PROPOSED NATURAL GAS PIPELINE TOWN OF EAST GRANBY HARTFORD COUNTY, CONNECTICUT	
Division:	CT	Op. Area:	HARTFORD
Section:	Township/EAST GRANBY	Range:	
Drafter: JMS	Date: 07/08/14	Project ID:	Type:
Chk'd: AP	Date: 4/21/15	Scale: 1" = 40'	Filename:
Appr: DK	Date: 4/21/15		
Sheet: 15 of 16			Rev:

2015.04.21 11:20:04



**CONNECTICUT TEMPORARY ACCESS ROAD 8 - PLAN**



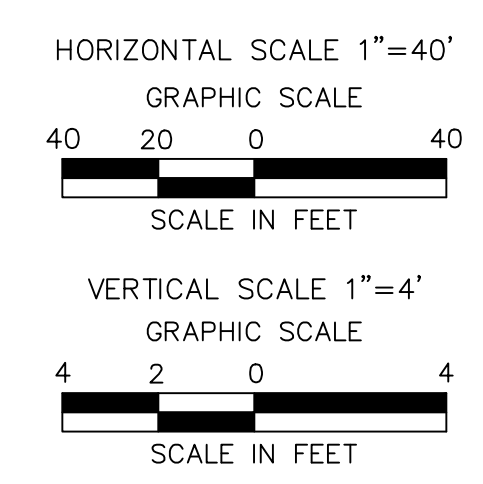
**CONNECTICUT TEMPORARY ACCESS ROAD 8 - PROFILE**

**GENERAL NOTES**

- CHECK DAMS SHALL BE INSTALLED WITHIN ALL SWALES IN ACCORDANCE WITH THE KINDER MORGAN BMP FIGURE NO. 22.
- REFER TO KINDER MORGAN CONSTRUCTION BEST MANAGEMENT PRACTICE MANUAL AND SHEETS TITLED "EROSION AND SEDIMENTATION NOTES," "GENERAL SEEDING NOTES," AND "RECYCLING AND DISPOSAL PLAN," FOR SPECIFIC INSTALLATION AND MAINTENANCE SPECIFICATIONS, AND EROSION CONTROLS.
- PROPOSED TRUCK PULL OFF ARE TEMPORARY AND SHALL BE REMOVED AFTER CONSTRUCTION. THE PULL OFF AREA SHALL BE REGRADED TO MATCH PRE CONSTRUCTION CONTOURS WHERE PRACTICAL. ALL PROPOSED PERMANENT SWALES AND ASSOCIATED CHECK DAMS SHALL BE REMOVED AND REINSTALLED ALONG THE PROPOSED EDGE OF ROAD.
- THE CONTRACTOR SHALL VERIFY ALL EXISTING CONDITIONS PRIOR TO CONSTRUCTION. THE CONTRACTOR SHALL IMMEDIATELY NOTIFY KINDER MORGAN, INC. AND/OR ITS ENGINEER OF ANY CONDITIONS THAT VARY FROM WHAT IS DEPICTED ON THIS PLAN.
- THE CONTRACTOR SHALL CONTACT CALL BEFORE YOU DIG CONNECTICUT (1-800-922-4455) A MINIMUM OF 72 HOURS PRIOR TO COMMENCEMENT OF CONSTRUCTION.
- ALL SLOPES THAT ARE EQUAL TO OR STEEPER THAN 1(V):3(H) SHALL BE SEEDED AND THEN COVERED WITH EROSION CONTROL MATTING PER KINDER MORGAN BMP NO. 41. THE MATTING SHALL BE INTERLOCKING TIMBER MATS OR APPROVED EQUAL AND INSTALLED IN ACCORDANCE WITH THE MANUFACTURERS SPECIFICATIONS. SEE DETAIL IN THE CONSTRUCTION BEST MANAGEMENT PRACTICES.
- ALL SLOPES THAT ARE STEEPER THAN 1(V):2(H) SHALL BE COVERED WITH RIPRAP SLOPE PROTECTION. SEE SLOPE PROTECTION DETAIL FOR INSTALLATION GUIDELINES IN THE CONSTRUCTION BEST MANAGEMENT PRACTICES.
- CONSTRUCTION ENTRANCES ARE TO BE CONSTRUCTED ON TEMPORARY ACCESS ROADS IF EXCESSIVE SEDIMENT IS CONVEYED ONTO THE MAIN TRAVEL WAY.

**LEGEND**

- PROPOSED PIPELINE
- EXISTING PIPELINE
- PROPERTY LINE
- STRUCTURE
- ELEC CABLE
- FENCE
- TREE LINE
- FIBER OPTIC LINE
- POWER LINES
- TELEPHONE CABLE
- TELEPHONE LINE
- CABLE LINE
- SILT FENCE
- PROPOSED EDGE OF ROAD
- PROPOSED SILT FENCE



DRAWING NUMBER		DRAWING TITLE	
REFERENCE DRAWINGS			
NO.	DATE	BY	DESCRIPTION
REVISIONS			
<b>CONNECTICUT EXPANSION PROJECT</b> <b>CONNECTICUT LOOP 300-500</b> <b>PROPOSED NATURAL GAS PIPELINE</b> <b>TOWN OF EAST GRANBY</b> <b>HARTFORD COUNTY, CONNECTICUT</b>			
Division:	CT	Op. Area:	HARTFORD
State:		Co./Par.:	
Section:	Township EAST GRANBY	Range:	
Drafter: JMS	Date: 07/08/14	Project ID:	Type:
Chk'd: AP	Date: 4/21/15	Scale: 1" = 40'	Filename:
Appr: DK	Date: 4/21/15		
			Sheet: Rev. 16 of 16

2015.04.21 11:28:04